



942512J

PREDATOR PRO GVT990 GEN W/61" SIDE DISCHARGE

942513J

PREDATOR PRO GVT990 GEN W/72" SIDE DISCHARGE

942514J

PREDATOR PRO FX921V KAW W/61" SIDE DISCHARGE

942515J

PREDATOR PRO FX1000V-DFI KAW W/61" SIDE DISCHARGE

942516J

PREDATOR PRO FX1000V-DFI KAW W/72" SIDE DISCHARGE

942519J

PREDATOR PRO FX921V KAW W/72" SIDE DISCHARGE

MAN 4168253
Rev. B 09-2013



PARTS MANUAL

CALIFORNIA

Proposition 65 Warning

Diesel engine exhaust and some of its constituents are known to the State of California to cause cancer, birth defects and other reproductive harm.

⚠ WARNING

The engine exhaust from this product contains chemicals known to the State of California to cause cancer, birth defects or other reproductive harm.

Californie Proposition 65 Avertissement

Les échappements des moteurs diesel et certains de leurs composés sont reconnus par l'Etat de Californie pour être cancérigènes, provoquer des défauts congénitaux et d'autres dangers en matière de reproduction.

⚠ AVERTISSEMENT

L'émission du moteur de ce matériel contient des produits chimiques que l'Etat de Californie considère être cancérigènes, provoquer des défauts congénitaux et d'autres dangers en matière de reproduction.

California Advertencia de la Proposicion 65

El estado de California hace saber que los gases de escape de los motores diesel y algunos de sus componentes producen cáncer, defectos de nacimiento y otros daños en el proceso de reproducción humana.

⚠ ADVERTENCIA

El estado de California hace saber que los gases de escape de este producto contienen productos químicos que producen cáncer, defectos de nacimiento y otros daños en el proceso de reproducción humana.

CALIFORNIA

Proposition 65 Warning

Battery posts, terminals, wiring insulation, and related accessories contain lead and lead compounds, chemicals known to the State of California to cause cancer and birth defects or other reproductive harm.

WASH HANDS AFTER HANDLING.

PREDATOR-PRO SERIES

IMPORTANT MESSAGE

Thank you for purchasing this Schiller Grounds Care, Inc. product. You have purchased a world class mowing product, one of the best designed and built anywhere.

This machine comes with an Operation and Safety Manual and a separate Setup, Parts and Maintenance Manual. The useful life and good service you receive from this machine depends to a large extent on how well you read and understand these manuals. Treat your machine properly, lubricate and adjust it as instructed, and it will give you many years of reliable service.

Your safe use of this Schiller Grounds Care, Inc. product is one of our prime design objectives. Many safety features are built in, but we also rely on your good sense and care to achieve accident-free operation. For best protection, study the manuals thoroughly. Learn the proper operation of all controls. Observe all safety precautions. Follow all instructions and warnings completely. Do not remove or defeat any safety features. Make sure those who operate this machine are as well informed and careful in its use as you are.

See a Schiller Grounds Care, Inc. dealer for any service or parts needed. Schiller Grounds Care, Inc. service ensures that you continue to receive the best results possible from Schiller Grounds Care, Inc. products. You can trust Schiller Grounds Care, Inc. replacement parts because they are manufactured with the same high precision and quality as the original parts.

Schiller Grounds Care, Inc. designs and builds its equipment to serve many years in a safe and productive manner. For longest life, use this machine only as directed in the manuals, keep it in good repair and follow safety warnings and instructions. You'll always be glad you did.

Schiller Grounds Care, Inc.
One Bob Cat Lane
Johnson Creek, WI 53038-0469

TABLE OF CONTENTS	FIGURES.....	PAGE
SAFETY.....		2
ASSEMBLY AND SETUP		3-5
MAINTENANCE CHART		6
MAINTENANCE RECORD.....		7
MAINTENANCE		8-14
ADJUSTMENTS		15-19
BELT REPLACEMENT		20
SPECIFICATIONS.....		21-24
PARTS SECTION.....		25
GENERAC ENGINE DECK ASSY AIR COOLED.....	FIGURE 1.....	26, 27
KAWASAKI ENGINE DECK ASSY/CLUTCH.....	FIGURE 2.....	28, 29
LOWER ENGINE DECK ASSY/CLUTCH.....	FIGURE 3.....	30, 31
BUMPER	FIGURE 4.....	32, 33
NON-DFI FUEL TANKS/CONTROL PANEL.....	FIGURE 5.....	34, 35
DFI FUEL TANKS/CONTROL PANEL.....	FIGURE 6.....	36, 37
BRAKES/REAR WHEEL	FIGURE 7.....	38, 39
OIL COOLER.....	FIGURE 8.....	40, 41
HYDRAULICS - AIR COOLED	FIGURE 9.....	42, 43
HYDROGEAR PUMP.....	FIGURE 10.....	44, 45
NON-DFI WIRE HARNESS- AIR COOLED.....	FIGURE 11.....	46, 47
DFI WIRE HARNESS-AIR COOLED.....	FIGURE 12.....	48, 49
SEAT ASSEMBLY & ROPS	FIGURE 13.....	50, 51
FOLDING ROPS KIT.....	FIGURE 14.....	52, 53
STEERING/DECK LIFT.....	FIGURE 15.....	54, 55
CRADLE ASSEMBLY	FIGURE 16.....	56, 57
CRADLE & CASTER ASSEMBLY	FIGURE 17.....	58, 59
61" SIDE DISCHARGE.....	FIGURE 18.....	60, 61
72" SIDE DISCHARGE	FIGURE 19.....	62, 63
BELTS-CUTTERDECK.....	FIGURE 20.....	64, 65
DECALS-POWER UNIT.....	FIGURE 21.....	66, 67
DECALS-CUTTERDECKS.....	FIGURE 22.....	68, 69
KAWASAKI DUAL FUEL PUMPS.....	FIGURE 23.....	70, 71

NOTICE !!!

Unauthorized modifications may present **extreme** safety hazards to operators and bystanders and could also result in product damage.

Schiller Grounds Care, Inc. strongly warns against, rejects and disclaims any modifications, add-on accessories or product alterations that are not designed, developed, tested and approved by Schiller Grounds Care, Inc. Engineering Department. Any Schiller Grounds Care, Inc. product that is altered, modified or changed in any manner not specifically authorized after original manufacture-including the addition of "after-market" accessories or component parts not specifically approved by CGC, Inc.-will result in the Schiller Grounds Care, Inc. Warranty being voided.

Any and all liability for personal injury and/or property damage caused by any unauthorized modifications, add-on accessories or products not approved by Schiller Grounds Care, Inc. will be considered the responsibility of the individual(s) or company designing and/or making such changes. Schiller Grounds Care, Inc. will vigorously pursue full indemnification and costs from any party responsible for such unauthorized post-manufacture modifications and/or accessories should personal injury and/or property damage result.



This Operator's Manual should be regarded as part of the machine. Suppliers of both new and second-hand machines must make sure that this manual is provided with the machine.



¡LEA EL INSTRUCTIVO!

Si no lee Ingles, pida ayuda a alguien que si lo lea para que le traduzca las medidas de seguridad.

Schiller Grounds Care, Inc.

One Bobcat Lane
Johnson Creek, WI 53038 U.S.A
Phone: 920-699-2000
Fax: 920-699-3683

MODEL NUMBER

SERIAL NUMBER



This symbol means:
**ATTENTION!
BECOME ALERT!**

Your safety and the safety of others is involved.

Signal word definitions:

The signal words below are used to identify levels of hazard seriousness. These words appear in this manual and on the safety labels attached to Schiller Grounds Care, Inc. machines. For your safety and the safety of others, read and follow the information given with these signal words and/or the symbol shown above.

⚠ DANGER

DANGER indicates an imminently hazardous situation which, if not avoided, **WILL** result in death or serious injury.

⚠ WARNING

WARNING indicates a potentially hazardous situation which, if not avoided, **COULD** result in death or serious injury.

⚠ CAUTION

CAUTION indicates a potentially hazardous situation which, if not avoided, **MAY** result in minor or moderate injury. It may also be used to alert against unsafe practices or property damage.

CAUTION

CAUTION used without the safety alert symbol indicates a potentially hazardous situation which, if not avoided, **MAY** result in property damage

MODEL NUMBER: This number appears on sales literature, technical manuals and price lists.

SERIAL NUMBER: This number appears only on your mower. It contains the model number followed consecutively by the serial number. Use this number when ordering parts or seeking warranty information. Located under seat plate on Frame of unit.

TOOLS REQUIRED FOR ASSEMBLY

- Wrecking bar
- Claw hammer
- Ratchets: 3/8" Drive
- Sockets: 9/16", 3/4"
- Wrenches: 3/8", 9/16", 3/4"
- Straight edge
- Tire pressure gauge
- Blocks (for deck leveling)

NOTE: All references below to the "right" or "left" are with respect to an operator at the controls.

1. UNCRATE UNIT

Discard packing materials. Remove and discard shipping brackets. Tighten caster wheel axle bolts against caster axle spanner bushings.

2. **72" in. deck models:** Tires need to be installed using eight 64187-03 wheel nuts included in hardware bag. Torque nut to 75 - 110 ft./lbs.
3. Set rear tire pressures to 12 lbs/in² (0.8 kg/cm²). Tires are overinflated for shipping. Front tires are run flat tires

4. DECK LEVELING

- a) Park the machine on a smooth, level surface. Raise the deck to the transport position.
- b) **SIDE DISCHARGE:** Lower the deck onto a pair of equal height blocks **A** under the rear corners of the deck. Place another pair of adjustable blocks **A** under the front of the deck so that the deck top is level.

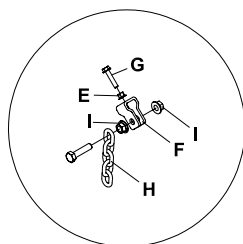
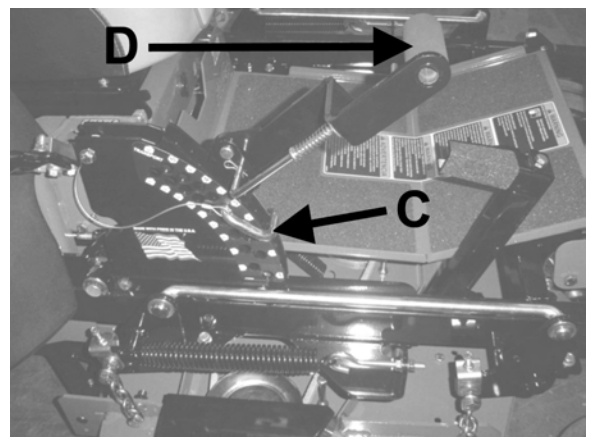
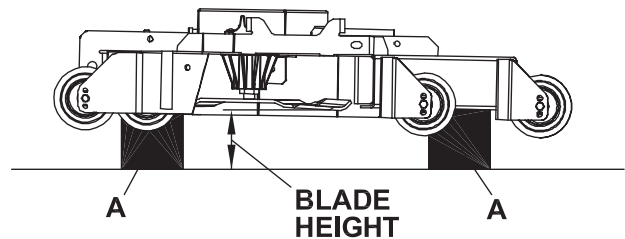
REAR DISCHARGE: Lower the deck onto a pair of equal height blocks **A** under the rear corners of the deck. Place another pair of adjustable blocks **A** under the front of the deck so that the deck is level.

NOTE: The front and rear of the deck are at different heights.

- c) Measure the height of the blade cutting edge above the ground. Remove pin **C** and set the height of cut lever **D** to that height.
- d) Loosen nuts **I** at all four corners of the deck.

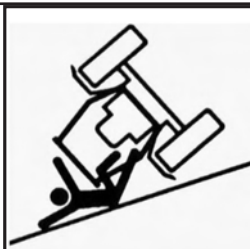
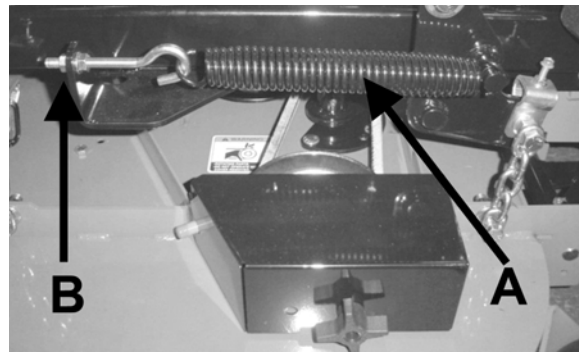
NOTE: This will relieve tension on chains **H**.

- e) Loosen the jam nuts **E** on the height of cut clips **F** and adjusting screws **G**. Turn the adjusting screws **G** until the play is taken out of the chains **H** at all four corners. Tighten the jam nuts **E** against the clips **F** and at the adjusting screws **G**. Retighten nuts **I** at this time.



5. COUNTERBALANCE SPRINGS

- a) Raise the cutterdeck all the way.
- b) Adjust the spring **A** with nut **B**:
Approximately 1" of threads should be extending past the spring mounting bracket at nut **B**.
The springs may be tightened or loosened from this point according to personal preference.



⚠ WARNING

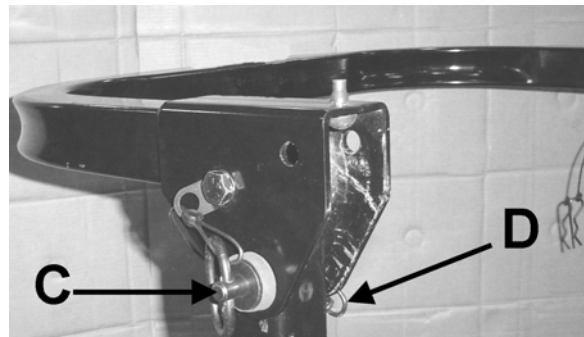
SERIOUS INJURY OR DEATH MAY RESULT FROM MACHINE ROLLOVER

- DO NOT OPERATE MACHINE ON STEEP SLOPES OR NEAR DROP OFFS
- ALWAYS USE SEAT BELTS WITH ROPS IN RAISED POSITION
- AVOID SHARP AND/OR QUICK TURNS
- DO NOT EXCEED THE MACHINE WEIGHT RATING OF THE ROPS

⚠ WARNING

ROLLOVER MAY CAUSE PERMANENT INJURY OR DEATH.

- ROPS RAISES THE CENTER OF GRAVITY AND REDUCES STABILITY ON SLOPES.
- SUDDEN STARTS OR TURNS ON RAMPS OR SLOPES CAN CAUSE OVERTURN.
- USE GREATER CARE ON RAMPS AND AS THE SLOPE INCREASES.



6. ROPS (Roll Over Protection Structure)

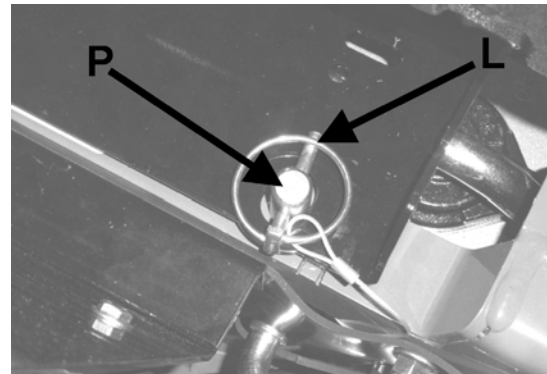
The ROPS reduces the risk of serious or fatal injury in the unlikely event of a tip over, although the system cannot protect the operator from all possible injuries. It is not designed, made, or intended to provide protection for a machine that is driven off an embankment, retaining wall or similar situation. A ROPS does not replace the need to exercise care when operating on slopes.

IMPORTANT:

- a) Do not cut, drill, modify or repair a ROPS structure in any manner..
- b) Always replace a damaged ROPS.
- c) Inspect roll bar and seat belts for damage or loose hardware before use. Tighten/replace any loose/damaged hardware. Replace worn or damaged seat belts.

SET UP: Remove cotter pin **D** from hitch pin **C**. Pull out hitch pin **C**, rotate upper hoop to the upright position. Reinstall hitch pin **C**. Reinstall cotter Pin **D** through hitch pin **C**.

Insure that the lynch pins **L** are securely in the seat plate pin **P**.



⚠ WARNING

This ROPS is certified for use on machines with a maximum gross vehicle weight (GVW) of 2000 LB. The GVW includes the weight of the base machine, operator, fuel, ROPS and any other attachments and payloads. When attachments are added, causing the GVW of the machine to be more than 2000 LB., the ROPS may not provide adequate protection resulting in serious injury or death. Use caution when installing attachments and **DO NOT EXCEED** the GVW rating of the ROPS.

7. FINAL PREPARATIONS

- Check the engine and hydraulic oil levels. Top up with the correct oil if necessary. Use SAE 10W30 motor oil for the engine. Use fresh, clean SAE 15W40 or SAE 20W50 motor oil or SAE 15W50 synthetic motor oil for the hydraulic system. After running for one hour, let hydraulic system oil cool. When cold check levels.

- Remove the battery from the machine. Fill the battery to the bottom of the vent wells with acid and trickle charge for several hours.



WARNING Battery acid is caustic and fumes are explosive and can cause serious injury or death.

Use insulated tools, wear protective glasses or goggles and protective clothing when working with batteries. Read and obey the battery manufacturer's instructions.

Be certain the ignition switch is OFF and the key has been removed before servicing the battery.

- a) Verify battery polarity before connecting or disconnecting the battery cables.
 - b) When installing the battery, always assemble the RED, positive (+) battery cable first and the ground, BLACK, negative (-) cable last.
 - c) Tighten cables securely to battery terminals and apply a light coat of silicone dielectric grease to terminals and cable ends to prevent corrosion. Keep terminal covers in place.
-
- Read Operation and Safety Manual before starting.
 - Deck can be adjusted to allow for the best horsepower, best quality of cut, or best priping. See deck leveling procedure in the Adjustments Section in this manual to set as desired.
 - Run engine at full RPM for 5 minutes before engaging blades to allow the engine to be fully lubricated before load is applied.
 - Check the hydrostat neutral adjustment. Neutral is set at the factory but may require readjustment if air trapped during the initial oil fill has worked out of the system. See adjustments section later in this manual.
 - Do not use the machine without an approved grass collector, the grass discharge chute or mulching plates correctly fitted.

MAINTENANCE CHART

PREDATOR-PRO SERIES

MAINTENANCE OPERATION	Maintenance is an ongoing job. These intervals are maximum times between maintenance operations. Perform more often under severe conditions.						
	FIRST 5 HOURS	DAILY	EVERY 25 HOURS	EVERY 50 HOURS	EVERY 100 HOURS	EVERY 200 HOURS	EVERY 500 HOURS
ENGINE							
Consult the engine manual for additional information and instructions							
Check/Top Off Engine Coolant Level (Where Applicable)		X					
Check/Top Off Oil Level		X					
Check For Leaks		X					
Clean Air Intake Screen		X					
Clean Air Cleaner Precleaner			X*				
Clean Air Cleaner Element					X	X**	
Clean Cooling Fins					X		
Change Oil And Filter	X	See engine manufacturer's manual					
Check/Replace Spark Plugs						X	
* N/A IF EQUIPPED WITH HEAVY DUTY CYCLONIC AIR CLEANER **IF EQUIPPED WITH HEAVY DUTY CYCLONIC AIR CLEANER							
HYDRAULICS							
Check For Leaks	X	X					
Check/Top Off Oil Level	X				X		
Change Oil And Filter	X						X
MACHINE							
Check Interlock Operation		X					
Check Tire Pressures		X					
Check/Top Off Battery					X		
Lubricate All Points						X	X

NOTES

GENERAL	DATE	HRS	DATE	HRS	DATE	HRS	DATE	HRS	DATE	HRS	DATE	HRS
Check Tire Pressures												
Lubricate All Points												
Check Nuts & Bolts												
ENGINE												
Check Engine Coolant Level (Where Applicable)												
Check Oil Level												
Change Oil												
Clean Air Cleaner Element												
Clean Cooling Fins												
Replace Air Cleaner Element												
Clean & Gap Spark Plugs												
NOTE: After first 5 hours of operation replace engine oil, hydraulic oil and both filters.												

CHECK DAILY

Operator Presence Interlock System - Start Operation

For the engine to crank, the parking brake must be on, the PTO (blades) off and traction levers in the neutral lock position. Sit in the seat and check, one by one, if the engine will crank with the parking brake off, the blades on, and either traction lever out of neutral lock. Also, make sure engine coolant temperature gauge light flashes upon turning key to the **ON** position.

Operator Presence Interlock System - Run Operation

The operator must be in the seat for the engine to run with the parking brake off, the traction levers moved out of the neutral lock position, or the blades on. To check:

1. Start the engine and run at 1/2 throttle with the operator on the machine but raised off the seat.
2. One by one: move the parking brake to the OFF position, traction levers out of the neutral lock position (check each independently), and turn the blades on. Each check should kill the engine after 1/2 second. (A 1/2 second delay is built into the system to prevent engine cutout when traversing rough terrain.)

Repair machine before using if the Operator Presence Interlock System does not operate correctly in start or run. Contact your authorized BOB-CAT dealer.


Hardware

Tighten any nuts and bolts found loose. Replace any broken or missing cotter pins. Repair any other problems before operating.

Tire pressure

Tires should be kept inflated at 12 psi. Improper tire inflation can cause rapid tire wear and poor traction. Uneven inflation can cause uneven cutting.

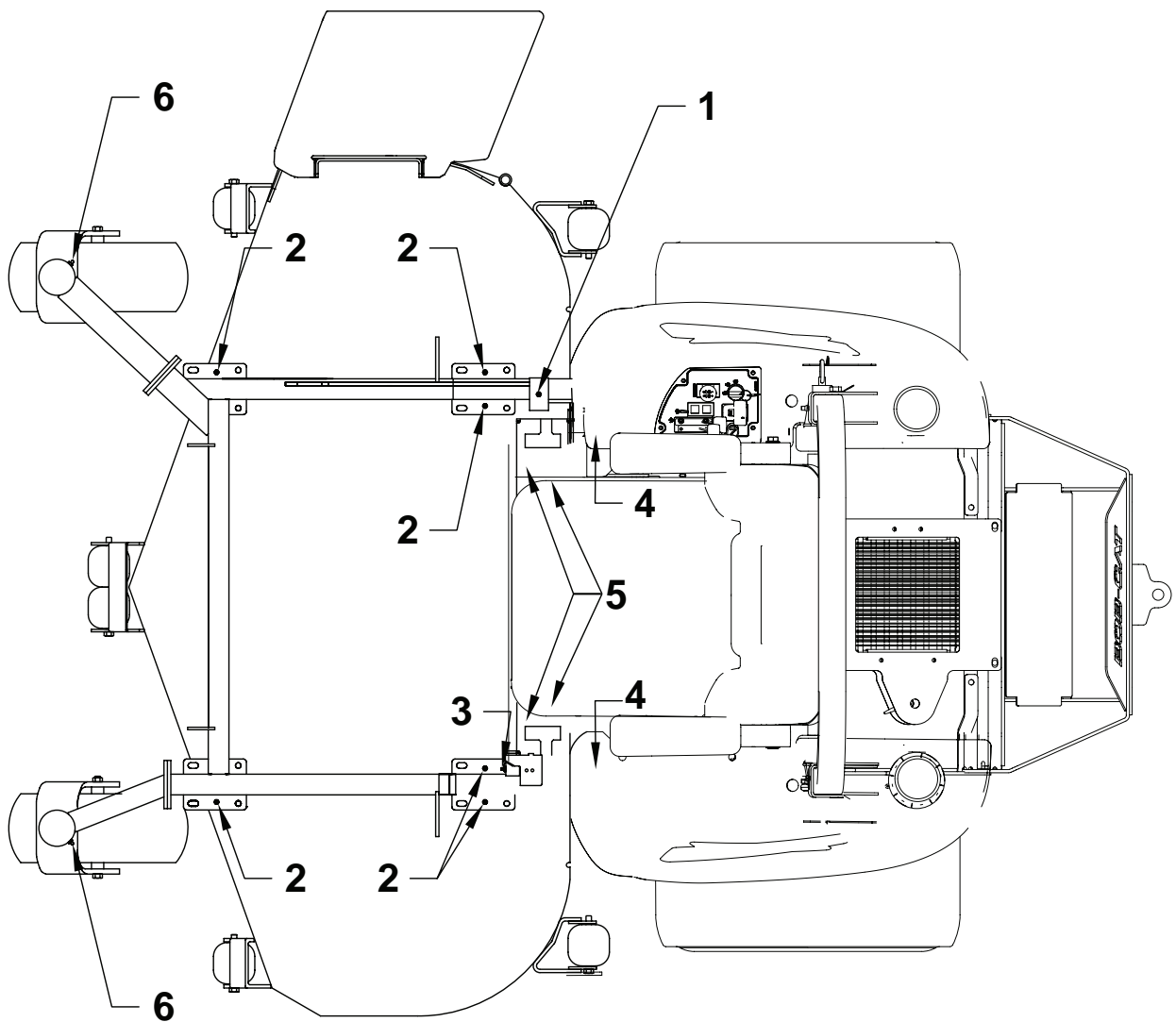
BATTERY

 **WARNING** Battery acid is caustic and fumes are explosive and can cause serious injury or death.

Use insulated tools, wear protective glasses or goggles and protective clothing when working with batteries. Read and obey the battery manufacturer's instructions.

Be certain the ignition switch is OFF and the key has been removed before servicing the battery.

1. Verify battery polarity before connecting or disconnecting the battery cables.
2. When installing the battery, always assemble the RED, positive (+) battery cable first and the ground, BLACK, negative (-) cable last.
3. When removing the battery, always remove the ground, negative (-) cable first and the red, positive (+) cable last.
4. Check the electrolyte level every 100 hours of operation.
5. Clean the cable ends and battery posts with steel wool. Use a solution of baking soda and water to clean the battery. Do not allow the solution to enter into the battery cells.
6. Tighten cables securely to battery terminals and apply a light coat of silicone dielectric grease to terminals and cable ends to prevent corrosion. Keep terminal covers in place.



LUBRICATION

Every 50 hours of operation, lubricate the following points (1-4) with grease:

1. Deck lift rockshaft (1 point)
2. Deck lift pivots (6 points)
3. Brake lever pivot (1 point)
4. Push arms (2 points located at rear of cutterdeck under each fuel tank)
5. Isolation mounts (4 points located under seat at front of machine.)
6. Caster wheel pivots (2 points)
(Lubricate every 500 hours or once a year)

NOTE ON BLADE SPINDLES - The blade spindles on these machines use a superior sealed bearing that does not require relubrication.

HYDRAULIC SYSTEM

Fluid level in the hydraulic system should be checked after the first 5 hours of operation, and every 100 hours thereafter, or when a leak has occurred. If the fluid is low, check all components for leaks.

To check, remove reservoir cap **M**. The fluid level should be at the bottom of the filler tube. If low, top up (do not overfill). Use one of the oils listed below:

- SAE 15W40 motor oil
- SAE 20W50 motor oil
- 15W50 synthetic motor oil

AFTER FIRST FIVE (5) HOURS

1. Remove plug **N** to drain hydraulic reservoir. Dispose of used oil in accordance with local requirements.
2. Clean and replace the plug.
3. Change hydraulic oil filter **G**.
4. Fill the reservoir with fresh oil to the bottom of the reservoir filler tube, using an oil from the list above. Do not overfill.

PERIODIC OIL CHANGES

Change the hydraulic fluid and hydraulic filter after each 500 hours of operation using the same procedure given above.

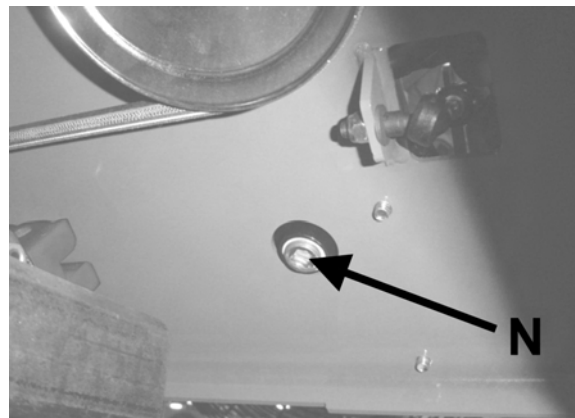
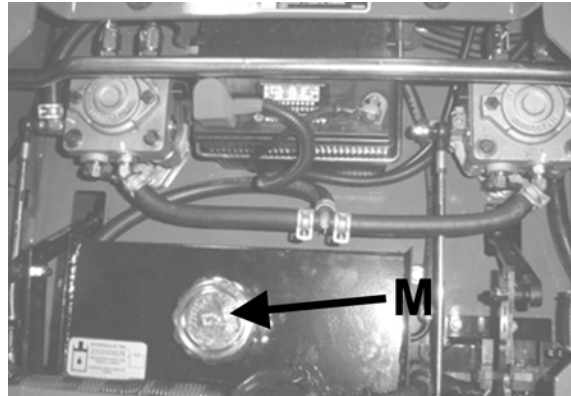
NOTES:

Before servicing the hydraulic system, stop the engine, disconnect spark plug wires and disengage the PTO.

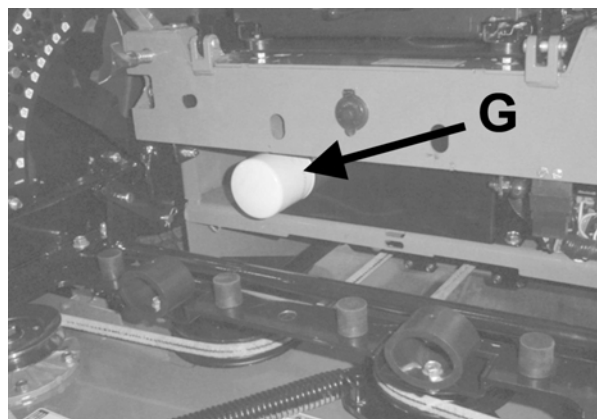
- After any hydraulic line is opened, plug or cap it promptly to reduce the risk of contamination.
- Do not use sealant tape on hydraulic pipe fittings. Use a liquid sealant that will dissolve into the system.
- Make sure all hydraulic connections are tight and hydraulic hoses and lines are in good condition before applying pressure to system.

⚠ WARNING

The machine's hydraulic system operates under high pressure. When checking for leaks, do not use your hands to attempt to find a leak. Instead, use cardboard or paper. Escaping hydraulic fluid can be under sufficient pressure to penetrate skin and cause serious injury. If hydraulic fluid is injected into the skin, it must be promptly removed by a doctor familiar with this form of injury or gangrene may result.



View from below machine



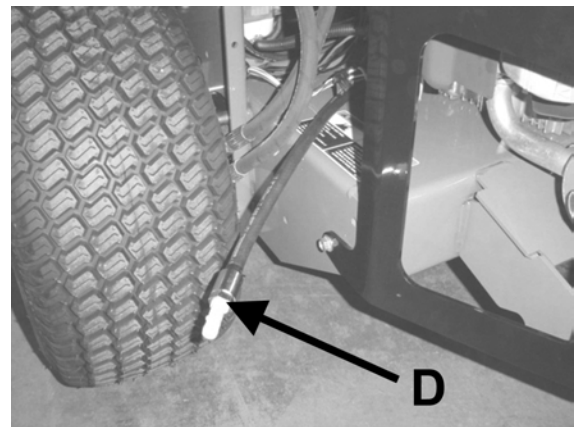
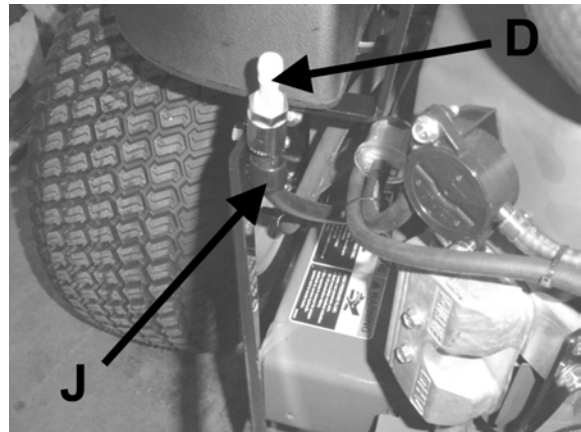
ENGINE OIL

Do not perform engine maintenance without the engine off, spark plug wires disconnected and PTO disengaged.

AFTER FIRST FIVE (5) HOURS

While the engine is warm:

1. Release the oil drain hose assembly from the engine clip **J**. Lay hose assembly over the frame edge.
2. Remove the rubber cap **D** from the tip of the hose assembly and turn the drain valve to allow oil to drain from the engine. Dispose of used oil in accordance with local requirements.
3. Clean drain valve and tighten the plastic portion of the drain valve back into the metal portion of the valve. Replace rubber cap over the tip of the valve. Replace hose assembly back into engine clip.
4. Change oil filter.
5. Fill the crankcase with fresh oil to the full mark. Do not overfill. See engine manual for oil specifications.



DAILY

1. Check oil level with the dipstick.
2. If oil is needed, add fresh oil of proper viscosity and grade. See engine manual for oil specifications. Do not overfill.
3. Replace dipstick before starting engine.

PERIODIC OIL CHANGES

1. See engine manual for oil and filter change intervals after the break-in period.
2. Follow instructions for first oil change, above.

SPARK PLUGS

Remove each plug and check condition.

- Good operating conditions are indicated if the plug has a light coating of grey or tan deposit.
- A white blistered coating indicates overheating. A black coating indicates an “over rich” fuel mixture. Both may be caused by a clogged air cleaner or improper carburetor adjustment.
- Do not sandblast, wire brush or otherwise attempt to repair a plug in poor condition. Best results are obtained with a new plug.
- Set plug gap as specified in engine manual..

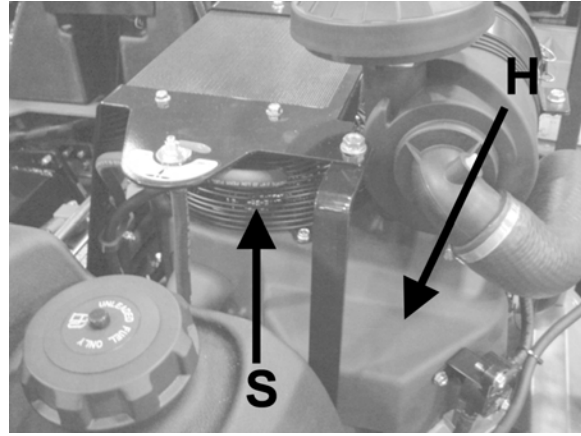
FUEL FILTER

An inline fuel filter is located in the fuel supply line. Inspect at every oil change to make sure it is clean and unobstructed. Replace if dirty.

ENGINE COOLING

Continued operation with a clogged cooling system will cause severe overheating and can result in engine damage.

- **Daily:** Clean air intake screen **S** on air cooled engines.
- **Every 100 hours:** Clean cooling fins beneath blower housing **H** with reference to information in the engine manufacturer's manual.

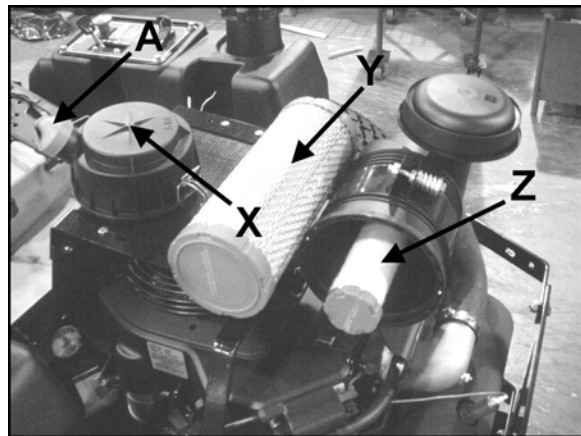


HEAVY DUTY CYCLONIC AIR CLEANER

Clean and replace the air cleaner element as specified in the service chart. Uneven running, lack of power or black exhaust fumes may indicate a dirty air cleaner.

To replace air cleaner elements:

1. Unclamp end cover **X** and remove existing cleaner elements.
2. Insert new elements **Y** and **Z** and replace cover. Ensure the breathing port **A** is pointing down and towards the front of the tractor.



CLEANING MACHINE

Clean the machine after use. Compressed air is recommended. Do not use a pressure washer. The machine will run cooler and last longer if kept free of clippings and other debris. A clean machine also reduces the risk of fire due to accumulation of combustible debris and chaff.

Brush or blow clippings and debris off the cutterdeck and engine deck. DO NOT use a pressure washer.

WASHING MACHINE

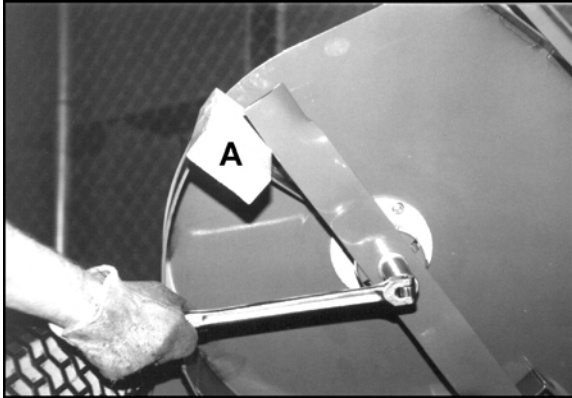
CAUTION: Improperly washing a machine can cause water to enter bearings and other components. This can greatly reduce component life.

- Do not use a pressure washer. Do not direct water at bearings or seals. High pressure water can blow past seals and enter sealed bearings.
- Allow the machine to cool down before washing. Water on a warm machine can be sucked into sealed bearings as they cool.
- Avoid getting electrical connections wet. Water can cause electrical faults and corrosion of electrical components.

BLADE REMOVAL

Follow these instructions to prevent injury during blade removal:

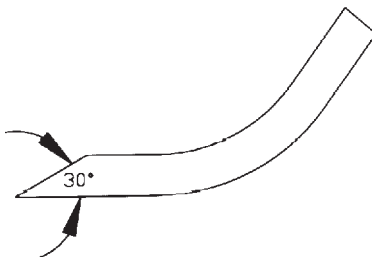
1. Loosen with a box wrench or a socket and long breaker bar. To gain additional leverage, slip a long pipe or thick-walled tube over breaker bar or wrench.
2. Insert wood block **A** as shown, with grain perpendicular to blade, to prevent blade from turning when loosening.
3. Wear thickly padded gloves. Keep hands clear of blade path. Blades may rotate when bolt releases.



SHARPENING

Blades may be sharpened by filing or grinding.

- Inspect blades before sharpening.
- Replace bent or cracked blades.
- Replace blades when the lift portion has worn thin.
- Maintain cut angle at 30°.
- Do not overheat blades when sharpening.
- Always use BOB-CAT blades. Use of another manufacturer's blades may be dangerous.



BLADE BALANCE

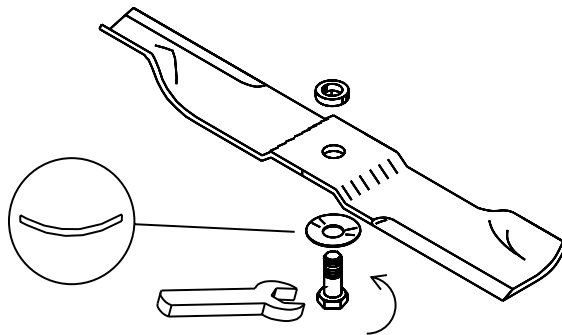
Blade balance must be maintained at 5/8 oz-in (19.4 g-cm) or less. Failure to keep blades balanced causes excess vibration, wear, and shortened life of most components of the machine.

To balance a blade:

1. Sharpen blade first.
2. Balance the blade at the center.
3. Attach a 1/8 oz (3.9 g) weight at a distance 5" (127 mm) from center on the light end. This should make the light end the heavy end:
 - If it does, the blade is balanced.
 - If does not, file or grind the heavy end until the addition of the weight makes the light end the heavy end.

BLADE INSTALLATION

1. Wear thickly padded gloves to prevent cuts from the sharp blade.
2. Insert the blade bolt, in order, through the conical washer (cup side toward the blade, as shown), the blade, and the blade spacer.
3. Install assembly on the blade spindle.
4. Torque the blade bolt to 70 ft-lbs.



BELTS

All belts are tensioned by spring loaded idlers. No adjustment is required.

DECK LEVELING

- a) Park the machine on a smooth, level surface. Raise the deck to the transport position.
- b) Lower the deck onto a pair of equal height blocks **A** under the rear corners of the deck. Place another pair of adjustable blocks **B** under the front of the deck so that the deck top is pitched forward 1/8".

A 1/8" forward pitched deck provides the best horsepower.

A level deck provides the best quality of cut.

A 1/8" rearward pitched deck provides the best stripping.

Certain grass types and conditions may vary.

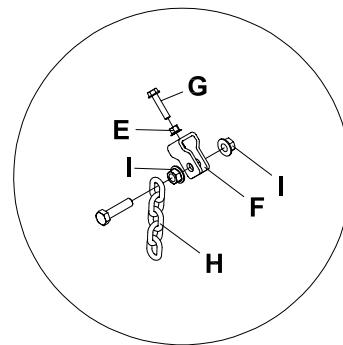
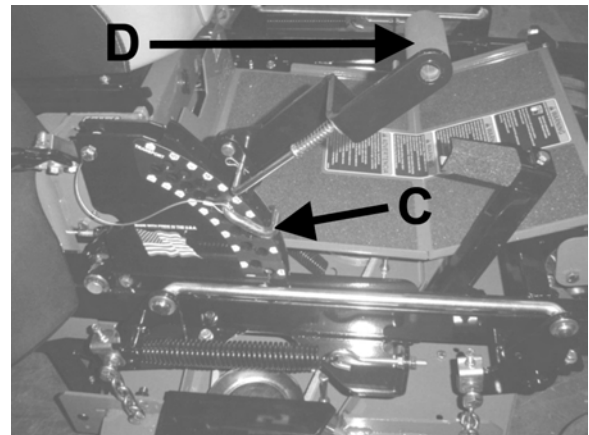
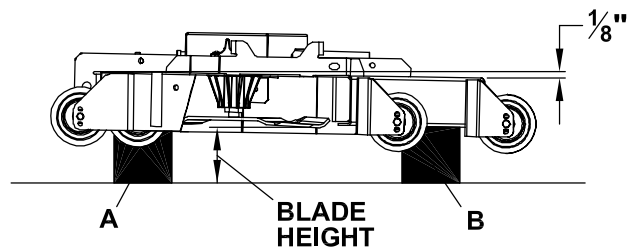
NOTE: The front and rear of the deck are at different heights.

- c) Measure the height of the blade cutting edge above the ground. Remove pin **C** and set the height of cut lever **D** to that height.
- d) Loosen nuts **I** at all four corners of the deck.

NOTE: This will relieve tension on chains **H**.

- e) Loosen the jam nuts **E** on the height of cut clips **F** and adjusting screws **G**. Turn the adjusting screws **G** until the play is taken out of the chains **H** at all four corners. Tighten the jam nuts **E** against the clips **F** and at the adjusting screws **G**. Retighten nuts **I** at this time.

FORWARD PITCH SHOWN



HEIGHT OF CUT

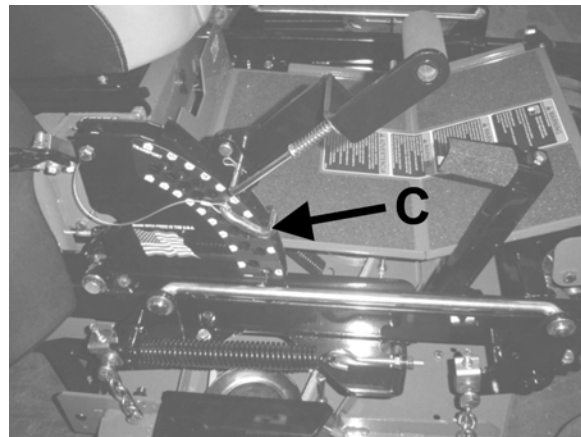
The height of cut is set by moving height of cut pin **C** to the hole designated for the height of cut desired.

To change the height of cut:

1. Lift the deck to the highest position.
2. Move pin **C** to the selected hole.
3. Lower the deck until the lift lever is stopped by the pin.

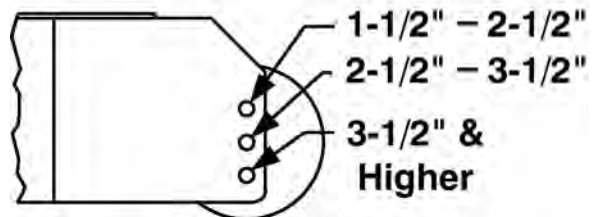
NOTES:

- Height of cut may vary due to the amount of tread on the tires, tire diameter or inflation pressure.
- For best results, adjust the rear deck rollers for the height of cut to be used (see below).



REAR DECK ROLLERS

The rear outside deck rollers are adjustable up and down to provide improved deck flotation and scalping protection at various heights of cut. They are not intended to ride continuously on the ground. Adjust no closer than 3/8" (10mm) to the ground.



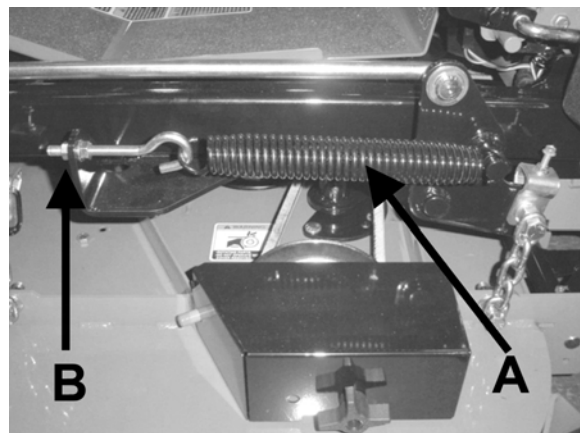
Height of cut ranges for roller adjustment

COUNTERBALANCE SPRINGS

1. Raise the cutterdeck all the way.
2. Adjust the spring **A** with nut **B**:

The spring length should be set at approximately 8-3/4", inside loop to inside loop, when in transport position.

The springs may be tightened or loosened from this point according to personal preference.



CONTROL LEVERS

There are two mounting positions for the control levers, upper and lower. The lower position works well for most people. Taller operators may need the upper position.

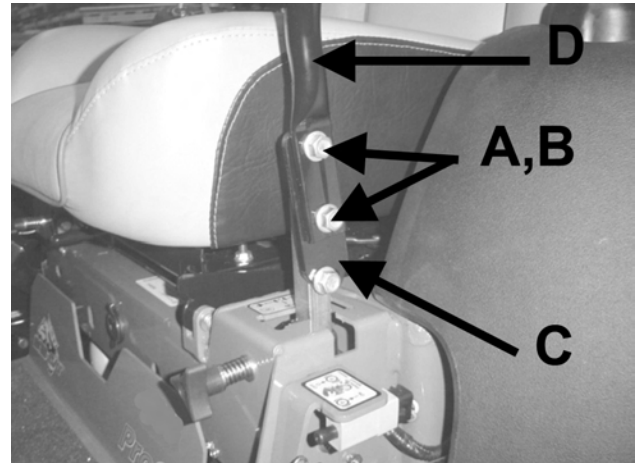
To adjust the height of the control levers:

- Remove bolts **A** and nuts **B**.
- Align holes in control lever **D** with appropriate holes in traction lever bracket **C**.
- Install bolts **A** and nuts **B**.

The upper mounting hole for the control levers is slotted to allow fore-aft adjustment and to allow alignment of the levers.

To adjust or align the control levers:

- Loosen nuts **B**.
- Adjust control lever position.
- Tighten nuts **B**.



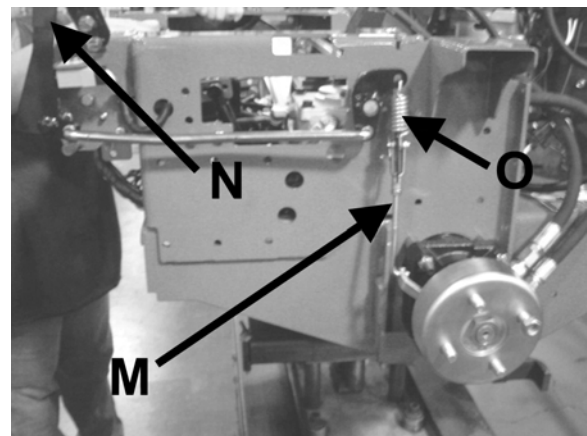
PARKING BRAKE

Park machine on a smooth level surface.

Support the machine with the rear wheels off the ground, using jack stands or equivalent. DO NOT rely on mechanical or hydraulic jacks.

1. Remove rear wheels.
2. Measure spring length **O** with parking brake **N** in the OFF position.
3. Move parking brake **N** to the ON position and measure length of spring **O** again. When spring deflects 3/8" it is properly adjusted.
4. If adjustment is required, return parking brake **N** to the OFF position.
5. Disconnect one end of rod **M** at the brake and loosen jam nut.
6. Adjust rod **M** in or out as required until 3/8" deflection in brake spring **O** is achieved with parking brake **N** in the ON position.
7. Reconnect rod **M** and retighten jam nut.
8. Repeat steps 2-7 on opposite side of machine.
9. Replace wheels and tighten wheel nuts.

NOTE: Parking brake must be in the OFF position to properly seat brake drums.



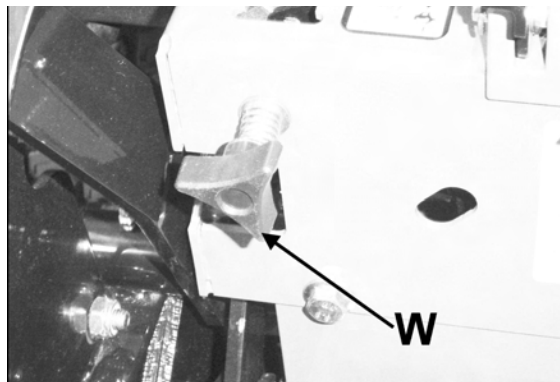
Parking brake assembly (tire and deck not shown for clarity - brake in ON position).

This adjustment will cause the brake springs to stretch 3/8" when the parking brake is in the ON position, providing the correct parking brake force without overloading the brake arm.

TRACKING HANDLES

An adjustment is provided to allow the operator to adjust machine tracking during operation.

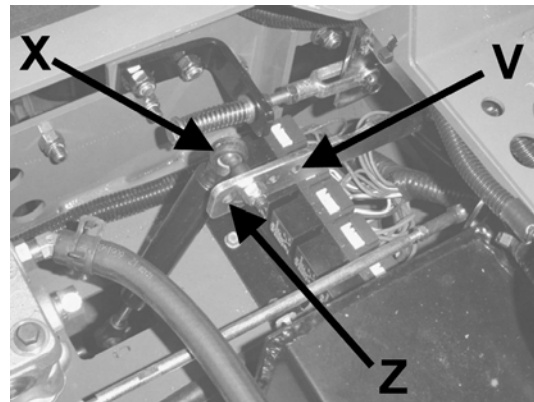
1. Turn knob **W** clockwise to shorten control lever travel.
2. Turn knob **W** counter-clockwise to increase control lever travel.



DAMPERS

Different damper mounting holes have been provided for various operator preferences with control lever motion.

1. For a stronger resistance feel, mount the dampers **X** in the outer most hole **Z** of the motion control weldment.
2. For a lighter resistance feel, mount the dampers **X** in the inner most hole **V** of the motion control weldment.

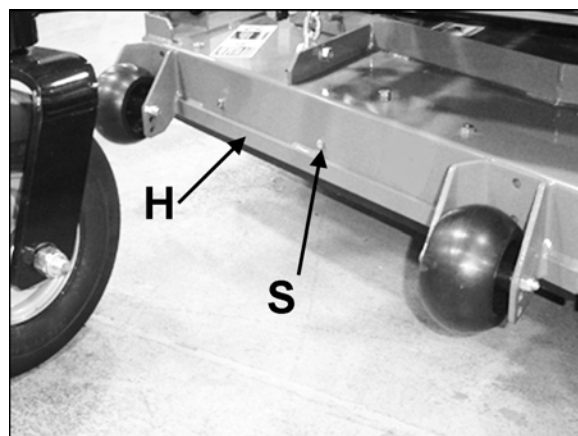


FRONT DECK LIP

Adjustable front deck lips have been provided on 61 in. cutterdecks for various cutting conditions.

To revise per conditions:

1. Loosen the front bolts **S**.
2. Adjust height of **H**.
3. Retighten **S** once you have desired height.



HYDROSTAT ADJUSTMENTS

A turnbuckle-style hydrostat neutral adjustment is provided.

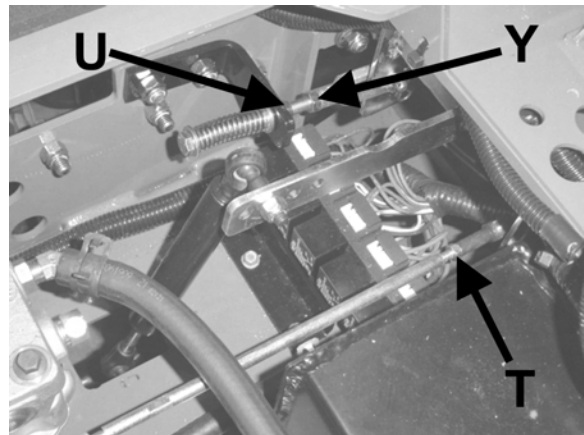
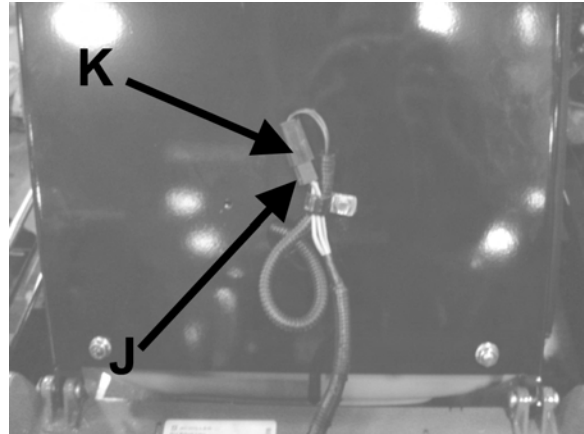
Neutral:

1. Support the machine with the rear wheels off the ground. Use jackstands or equivalent support. Do not rely only on mechanical or hydraulic jacks.
2. Move the traction levers out into the neutral lock position and raise the seat.
3. Disconnect the seat switch wire **K** and temporarily connect the two terminals with jumper wire **J** as shown.
4. Start the engine and run at low speed.
5. Loosen jam nuts **T** at both ends of the control rod.
6. Rotate the control rod until the corresponding wheel stops turning. Lock the jam nuts. Run the engine up to high idle to check the adjustment. Readjust if necessary.
7. Repeat steps 5 and 6 for the opposite side.
8. Remove the jumper wire **J** and reconnect the seat switch.

Reverse Return:

1. Move traction levers out to the neutral lock position and raise the seat.
2. Locknut **U** should be run on the bolt as far as it will go.
3. Loosen jam nut **Y**. Adjust the clevis yoke by turning the head of the bolt until the clevis pin just makes contact with the rear of the slot in the lever it connects with. Tighten jam nut **Y**.
4. Repeat steps 2 and 3 for the opposite side.

NOTE: A slight creep in reverse is acceptable provided the wheel does not turn and the hydrostat pump does not whine when the parking brake is on.



Right side adjustments

Note: Always use Schiller Grounds Care, Inc. replacement belts, not general purpose belts. Schiller Grounds Care, Inc. belts are specially designed for use on commercial mowers and will normally last longer.

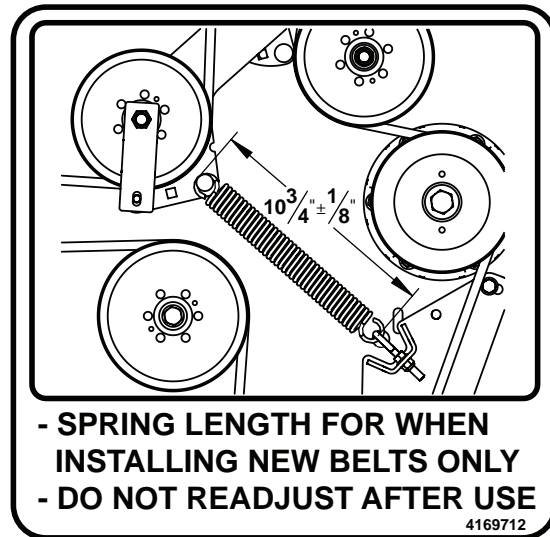
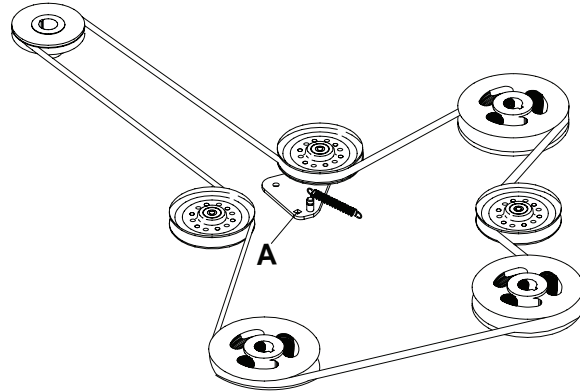
CUTTERDECK BELT

1. Tilt floorplate all the way forward.
2. Set the cutterdeck in a middle height-of-cut position.
3. Use a 3/8" ratchet and extension to back tensioning idler off to remove belt from idler. Remove belt from cutterdeck pulleys.

NOTE: Use the 3/8" ratchet in the square hole **A** on the idler.

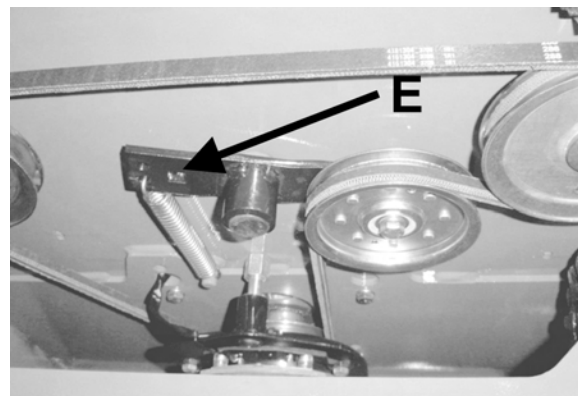
4. Remove belt from clutch pulley.
5. Install the new belt by performing these steps in reverse order.
6. If machine has eyebolt for adjusting belt tensioning spring, adjust eyebolt so the distance between the outside of the spring post on the movable idler and the inside of the eyebolt is $10\text{-}3/4\pm 1/8$ ".

NOTE: After usage of the machine, the belt will seat into the pulleys and reduce the length of the spring. **DO NOT READJUST THE EYEBOLT.** This is normal. If you do adjust the eyebolt, you will over tension the belt, greatly reducing its life.



PUMP-DRIVE BELT

1. Remove engine-cutterdeck belt (see engine-cutterdeck belt replacement).
2. Attach an extension to a 3/8" drive ratchet. Insert the ratchet extension in the square hole of the pump drive idler arm. Use the ratchet handle to rotate it enough to remove the pump drive belt.
3. Install a new pump drive belt in the same manner as it was removed.
4. Re-install engine-cutterdeck belt (see engine-cutterdeck belt replacement).



POWER UNITS

ENGINES:

Construction: Aluminum block with cast-in cast iron sleeves. Aluminum head.

Configuration: 4-stroke, vertical shaft, V-twin cylinder, overhead valve, air-cooled.

DRIVE SYSTEM:

Full hydrostatic pump and wheel motor combination for independently controlled drive wheels.

Pump: Hydrogear 16cc variable displacement piston pump.

Motors: Parker displacement MB series. Direct drive 1-1/4" (31.8mm) diameter output shaft.

Turn Radius: True Zero

**OPERATOR PRESENCE
INTERLOCK SYSTEM:**

Start: The PTO (blades) must be off, traction levers in neutral lock, and parking brake on for engine to crank.

Run: Operator must be in seat to take parking brake off, to move traction levers out of the neutral lock position, or to turn the PTO (blades) on or the engine will kill. The parking brake must be off for the traction levers to move out of the neutral lock position.

The operator may leave the seat with the engine running if the parking brake is on, the PTO (blades) is off, and the traction levers are in the neutral lock position. A time delay eliminates annoying engine cutout from operation over rough terrain.

WEIGHT:

1293 lbs (587 kg) w/61" deck
1404 lbs (638 kg) w/72" deck

CONTROLS:

Throttle; choke; power takeoff (PTO) clutch switch; traction levers; parking brake lever; lift lever.

FUEL SYSTEM:

One tank on each side of operator. Total capacity 14 gallons (52.9 liters). Fuel selector/shutoff switch on rear cooler mounting bracket(1/4 turn). Replaceable fuel filter.

MAXIMUM GROUND SPEEDS:

Forward: 11.5 mph (18.5 km/h)

Reverse: 4 mph (6.4 km/h)

WHEELS & TIRES:

Drive wheels:

942512J, 942513J: 24 X 12.00-12 4-Ply Turf
942514J, 942515J Tread Tires
942516J, 942519J

Casters: 13 X 6.5-6 No-Flat tires

Pressure: 12 p.s.i.

BRAKING:

Parker brakes. Spring applied for overload protection.

SEAT:

High back, foam padded full suspension seat with standard armrests. Fore and aft adjusters, hinged for easy tilt-up access to pumps and battery. Internally mounted seat switch.

ENGINES			
MODEL NUMBERS	942512J, 942513J	942515J, 942516J	942514J, 942519J
MANUFACTURER	Generac	Kawasaki	Kawasaki
MODEL	GTV990	FX1000V	FX921V
CYLINDERS	2	2	2
COOLING	AIR	AIR	AIR
BORE/STROKE	3.54 X 3.07" (90 X 78mm)	3.5 X 3.2" (89.2 X 80mm)	3.5 X 3.2" (89.2 X 80mm)
DISPLACEMENT	60 cu. in. (992cc)	61 cu. in. (999cc)	61 cu. in. (999cc)
COMPRESSION	8.6:1	8.4:1	8.4:1
OUTPUT POWER	Refer to engine manufacturer's specifications and website.		
LUBRICATION	FULL PRESSURE	FULL PRESSURE	FULL PRESSURE
GOVERNOR	Mechanical	Electrical	Mechanical
AIR CLEANER	Heavy Duty Cyclonic	Heavy Duty Cyclonic	Heavy Duty Cyclonic
IGNITION SYSTEM	Electronic	Electronic	Electronic
CHARGING SYSTEM	20 amp, regulated	20 amp, regulated	20 amp, regulated
BATTERY	BCI group U1	BCI group U1	BCI group U1
FUSES	Two, 20 amp blade	Two, 20 amp blade	Two, 20 amp blade

GENERAL	DATE	HRS	DATE	HRS	DATE	HRS	DATE	HRS	DATE	HRS	DATE	HRS
Check Tire Pressures												
Lubricate All Points												
Check Nuts & Bolts												
ENGINE												
Check Engine Coolant Level (Where Applicable)												
Check Oil Level												
Change Oil												
Clean Air Cleaner Element												
Clean Cooling Fins												
Replace Air Cleaner Element												
Clean & Gap Spark Plugs												
NOTE: After first 5 hours of operation replace engine oil, hydraulic oil and both filters.												

CUTTERDECKS		
MODEL NUMBER	942512J, 942514J 942515J	942513J, 942516J 942519J
TYPE	Side Discharge	Side Discharge
CUTTING WIDTH	61" (155 cm)	71.5" (181 cm)
WIDTH	N/A	N/A
WIDTH (CHUTE UP)	62" (157 cm)	72.5" (184 cm)
WIDTH (CHUTE DOWN)	73" (185 cm)	84.0" (213 cm)
BLADE	high lift (low lift optional)	high lift (low lift optional)
NUMBER OF BLADES	3	3
BLADE LENGTH	21" (53 cm)	24.5" (63 cm)
BLADE THICKNESS	0.25" (6.35 mm)	0.25" (6.35 mm)
TIP SPEED	18850 ft/min 5745 m/min @ 3500 Engine RPM	18153 ft/min 5533 m/min @ 3800 Engine RPM
DAILY PRODUCTION (8 hr @ 6 mph)	Up to 29.5 acres (11.9 ha)	Up to 34.7 acres (14.0 ha)

CONSTRUCTION:

Fabricated and welded 10-gauge, double-layer steel top with 7-gauge side skirts. Full floating design.

CUTTERDECK DRIVE SYSTEM:

Electric clutch/brake drives belt directly from engine to cutterdeck. No twists in drive belt.

SPINDLES:

Top mounted and maintenance free, with 1" shaft in precision machined, aluminum housing

SPECIFIC TORQUES

BLADE BOLT TORQUE: 70 FT-LBS (95 Nm)

WHEEL HUB NUTS: 225 FT-LBS (237 Nm)

ENGINE CRANKSHAFT BOLT: 50 FT-LBS (68 Nm)

LUG NUTS: 75-100 FT-LBS

ANTI-SCALP ROLLERS:

61" & 72" Cutterdecks - 7 Rollers

CUTTING HEIGHT & PRODUCTION:

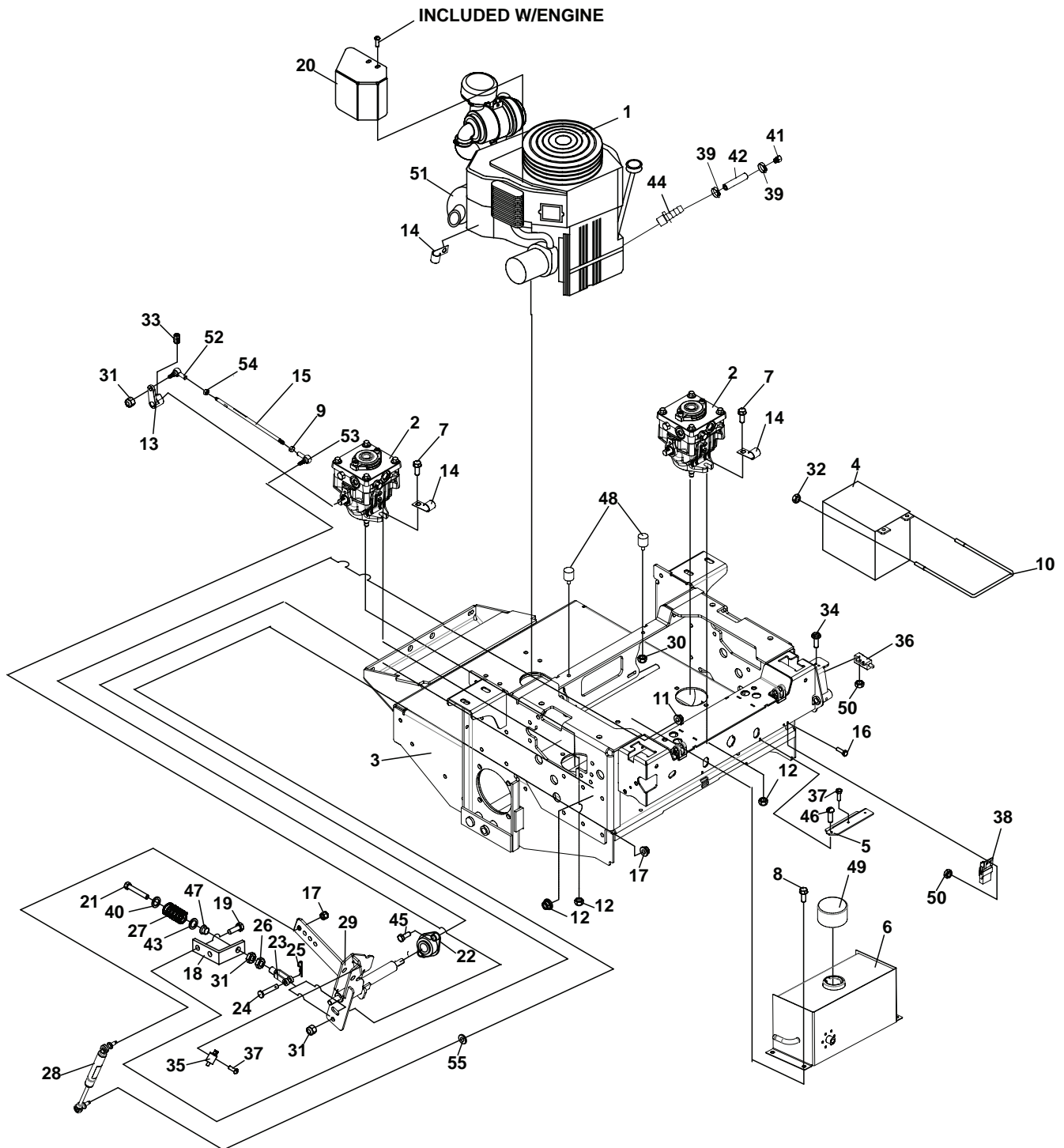
Height: Spring assisted lift lever allows easy setting of cut heights from 1" to 5 1/2" in 1/4" increments. "Set and forget" feature allows height of cut to be set and returned to without searching from operator position.

PARTS SECTION

GENERAC UPPER ENGINE DECK ASSY

PREDATOR-PRO SERIES

FIGURE 1



GENERAC UPPER ENGINE DECK ASSY

**PREDATOR-PRO
SERIES**

FIGURE 1

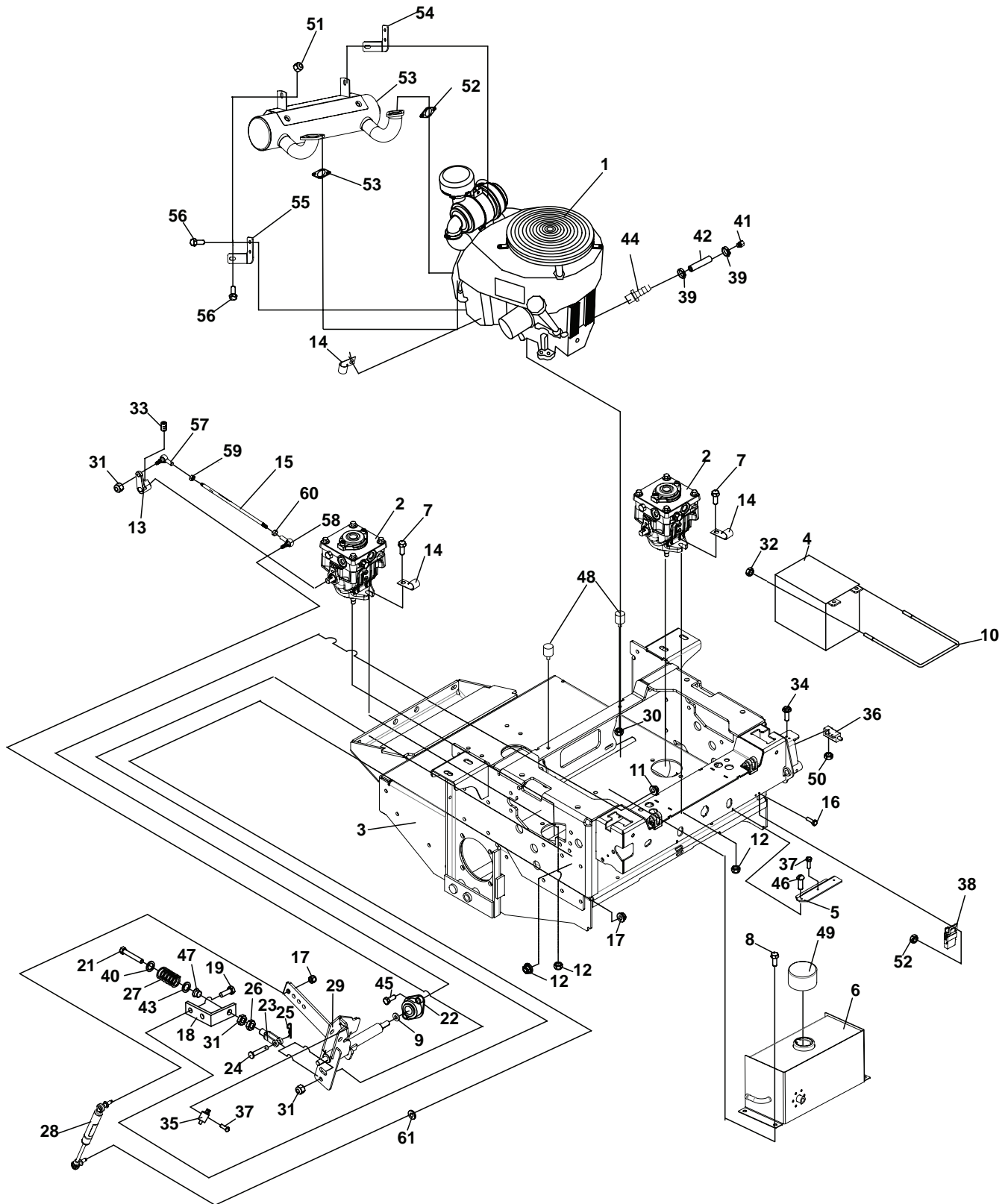
ITEM	PART NO.	DESCRIPTION	QTY	ITEM	PART NO.	DESCRIPTION	QTY
1	4165867	ENGINE-3GTV990 GENERAC	1	30	64141-6	NUT-WLF 5/16-18	2
	*2198147-01	ELEMENT	1	31	64229-08	LOCKNUT NYLON 5/16-24	6
	*4135662	AIR FILTER SECONDARY	1	32	64268-02	NUT-FL NYLON LOCK 5/16-18	2
	*4135663	FILTER-OIL	1	33	64192-06	SETSCR SQHD 5/16-18X3/4	2
	*4136930	SPARK PLUG	1	34	64152-49	SCREW-SLT HH 10-24X3/4	2
	*4136939	GASKET-VALVE COVER	1	35	108208	SWITCH DBL POLE	2
2	4165664	PUMP-HYDROSTATIC 16CC (SEE FIGURE 8 FOR BREAKDOWN)	2	36	2188156	SWITCH-NONO DBL POLE	1
3	4167906	S-ENGINE DECK W/LABS	1	37	64197-015	BLT-TDFM 10-32X1/2 TORX	6
4	4167215	BATTERY	1	38	2188154	MODULE-DELAY	1
5	4165497.7	BRACKET-RELAY MNTG	1	39	88042-03	CLAMP-HOSE 5/8	2
6	4167655	S HYD RESERVOIR W/LABS	1	40	64163-02	WSHR-.321X.593X11GA	2
7	64262-012	BLT-FLG HD 3/8-16 X 1-1/4	4	41	4164251	VALVE-OIL DRAIN	1
8	64197-016	BLT-TDFM 3/8-16X1/2	4	42	69053-03	HOSE, HYDRAULIC 18"	1
9	64025-03	NUT-HEX 5/16-24 RH	2	43	64163-55	WASHER .328X.75X14 GA	4
10	4167239	STRAP-BATTERY	1	44	4164252-001	FITTING-3/8NPT TO 3/8	1
11	64141-4	NUT-WLF 3/8-16	8	45	64123-15	BOLT-3/8-16X3/4 HEX	8
12	64268-03	NUT-FL NYLON LOCK 3/8-16	8	46	64197-025	BLT-TDFM 1/4-20X5/8	2
13	4159521	ARM-PUMP	2	47	38304-02	BRG, FLGD PLASTIC	2
14	48412-01	CLAMP-J	3	48	4143354	BUMPER-RUBBER	2
15	4167289	ROD-LINK ASSY	2	49	4167240	CAP-RESERVOIR	1
16	64152-46	SCREW-SLT HH 10-24X1/2	2	50	64025-15	NUT-HEX #10-24 KEPS	4
17	64237-05	LOCKNUT-NYLON M8-1.25	4	51	4164626	MUFFLER-GENERAC	1
18	2182405.7	BRKT-REVERSE RETURN	2	52	4167343-02	ROD END-5/16 FEMALE LH	2
19	64123-50	BLT-HEX 3/8-16X1	4	53	4167343-01	ROD END-5/16 FEMALE RH	2
20	4162803.7	DEFLECTOR-AIRFLOW	1	54	64025-33	NUT-HEX 5/16-24 LH	2
21	64123-205	BLT-HEX 5/16-24X4	2	55	64163-95	WSHR-.344X.688X.065	2
22	2188145	BEARING-.75ID BRZ	4				
23	38020N	CLEVIS YOKE, 5/16 PLATE	2				
24	64188-02	PIN, CLEVIS 5/16X1	2				
25	64168-2	COTTER-HAIRPIN.08X1.19	2				
26	64025-03	NUT-HEX 5/16-24	2				
27	2188139	SPRING-COMPRESSION	2				
28	0400.51	DAMPENER	2				
29	4167143	WLDMT-MOTION CTRL RH	1				
	*4167144	WLDMT-MOTION CTRL LH	1				

* NOT ILLUSTRATED

KAW UPPER ENGINE DECK ASSY

PREDATOR-PRO
SERIES

FIGURE 2



**PREDATOR-PRO
SERIES**

KAW UPPER ENGINE DECK ASSY

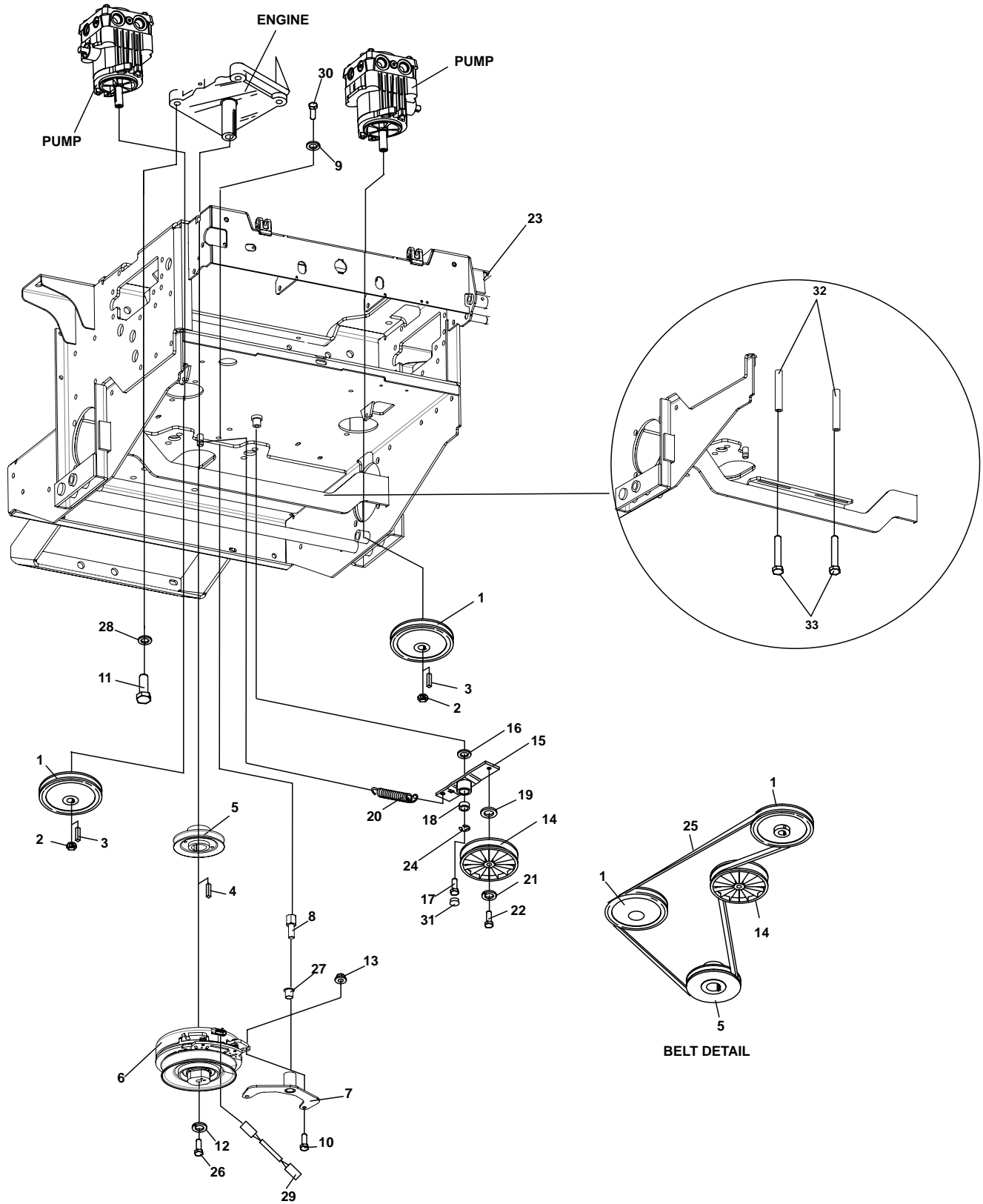
FIGURE 2

ITEM	PART NO.	DESCRIPTION	QTY	ITEM	PART NO.	DESCRIPTION	QTY
1	4164254	ENGINE-37 HP DFI KAW	1	30	64141-6	NUT-WLF 5/16-18	2
	4167705	ENGINE-37 HP DFI		31	64229-08	LOCKNUT NYLON 5/16-24	6
	4165719	ENGINE-34 KAW NON DFI		32	64268-02	NUT-FL NYLON LOCK 5/16-18	2
	4152953	S-AIR FILTER PRIMARY	1	33	64192-06	SETSCR SQHD 5/16-18X3/4	2
	4152954	S-AIR FILTER SAFETY	1	34	64152-49	SCREW-SLT HH 10-24X3/4	2
	2722214	FILTER-OIL	1	35	108208	SWITCH DBL POLE	2
	38666	FILTER-FUEL	1	36	2188156	SWITCH-NONO DBL POLE	1
2	4165664	PUMP-HYDROSTATIC 16CC (SEE FIGURE 8 FOR BREAKDOWN)	2	37	64197-015	BLT-TDFM 10-32X1/2 TORX	6
3	4167906	S-ENGINE DECK W/LABS	1	38	2188154	MODULE-DELAY	1
4	4167215	BATTERY	1	39	88042-03	CLAMP-HOSE 5/8	2
5	4165497.7	BRACKET-RELAY MNTG	1	40	64163-02	WSHR .321X.593X11GA	2
6	4167655	S HYD RESERVOIR W/LABS	1	41	4164251	VALVE-OIL DRAIN	1
7	64262-012	BLT-FLG HD 3/8-16 X 1-1/4	4	42	69053-03	HOSE, HYDRAULIC 18"	1
8	64197-016	BLT-TDFM 3/8-16X1/2	4	43	64163-55	WASHER .328X.75X14 GA	4
9	64163-69	WSHR .391X.88X10 GA	2	44	4164252-001	FITTING-3/8NPT TO 3/8	1
10	4167239	STRAP-BATTERY	1	45	64123-15	BOLT-3/8-16X3/4 HEX	8
11	64141-4	NUT-WLF 3/8-16	8	46	64197-025	BLT-TDFM 1/4-20X5/8	2
12	64268-03	NUT-FL NYLON LOCK 3/8-16	8	47	38304-02	BRG, FLGD PLASTIC	2
13	4159521	ARM-PUMP	2	48	4143354	BUMPER-RUBBER	2
14	48412-01	CLAMP-J	3	49	4165236	CAP-RESERVOIR	1
15	41667289	ROD-LINK ASSY	2	50	64025-15	NUT-HEX #10-24 KEPS	4
16	64152-46	SCREW-SLT HH 10-24X1/2	2	51	64266-02	NUT-FL CROWN LOCK M8-1.25	2
17	64229-02	LOCKNUT-NYLON 5/16-18	4	52	11061-7061	GASKET-MUFFLER	2
18	2182405.7	BRKT-REVERSE RETURN	2	(AVAILABLE THROUGH KAWASAKI DEALER)			
19	64123-50	BLT-HEX 3/8-16X1	4	53	4164675	ASSY-MUFFLER	1
20	4162803.7	DEFLECTOR-AIRFLOW	1	54	4163257.7	BRACKET-MUFFLER, LH	1
21	64123-205	BLT-HEX 5/16-24X4	2	55	4163258.7	BRACKET-MUFFLER, RH	1
22	4164260	MOUNT-ANTI VIBRATION	4	56	64263-007	BLT-FLG HD M8-1.25 X 20	6
23	38020N	CLEVIS YOKE, 5/16 PLATE	2	57	4167343-02	ROD END-5/16 FEMALE LH	2
24	64188-02	PIN, CLEVIS 5/16X1	2	58	4167343-01	ROD END-5/16 FEMALE RH	2
25	64168-2	COTTER-HAIRPIN.08X1.19	2	59	64025-33	NUT-HEX 5/16-24 LH	2
26	64025-03	NUT-HEX 5/16-24	2	60	64025-03	NUT-HEX 5/16-24 RH	2
27	2188139	SPRING-COMPRESSION	2	61	64163-95	WSHR-.344X.688X.065	2
28	4167712	DAMPER	2	*NOT ILLUSTRATED			
29	4165364	WLDMT-MOTION CTRL LH	1				
	* 4165365	WLDMT-MOTION CTRL RH	1				

LOWER ENGINE DECK ASSY/CLUTCH

PREDATOR-PRO
SERIES

FIGURE 3



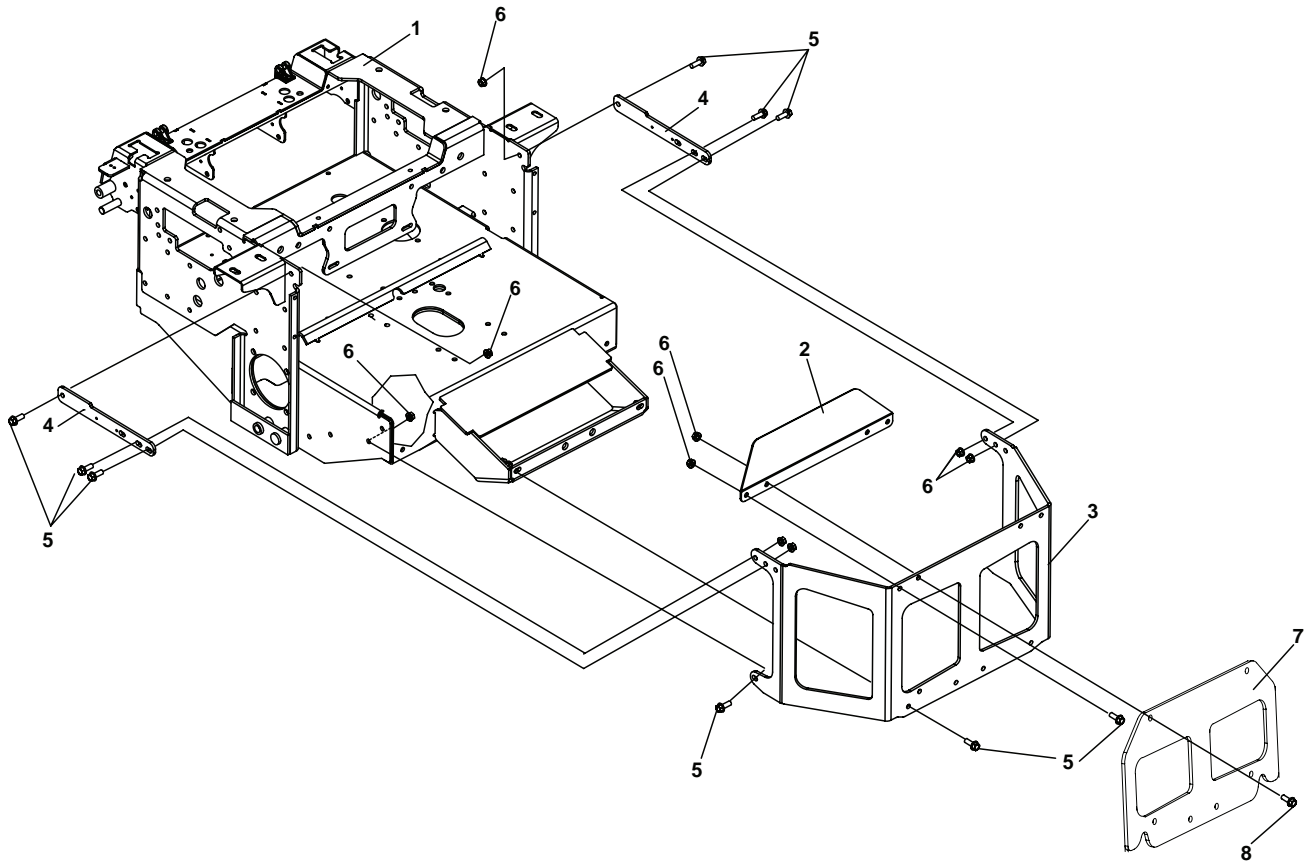
**PREDATOR-PRO
SERIES**

LOWER ENGINE DECK ASSY/CLUTCH

FIGURE 3

ITEM	PART NO.	DESCRIPTION	QTY	ITEM	PART NO.	DESCRIPTION	QTY
1	4157180	PULLEY-PUMP	2				
2	64151-26	NUT-7/16-20 NYLN INST.	2				
3	64164-29	KEY-MET 3/16X3/4	2				
4	64164-12	KEY	1				
5	4165508	PULLEY- 5.25 OD X 1.126	1				
		(USED ON KAW ENGINES ONLY)					
	4165507	PULLEY-ENGINE					
		(USED ON GENERAC ENGINES ONLY)					
6	4165709	CLUTCH-ELECTRIC, 225	1				
		(USED ON KAW ENGINES ONLY)					
	4165784	CLUTCH-ELECTRIC 250					
		(USED ON GENERAC ENGINES ONLY)					
7	4165570.7	WLDMT-CLUTCH STOP	1				
8	4121540	PIN-CLUTCH	1				
9	64006-03	LOCKWSHR-3/8 HELICAL	1				
10	64123-54	BLT-HEX 5/16-18X3/4	2				
11	64123-70	BLT-HEX 3/8-16X1-1/2	4				
12	64006-06	LCKWSHER-HELICAL 7/16	1				
13	64268-02	NUT-FL NYLON LCK 5/16-18	2				
14	2308000	PULLEY-IDLER 4.00 EOD	1				
15	4128923	S-ASSY-IDLER ARM PUMP	1				
		(INCLUDES ITEMS 16, 18 & 24)					
16	4127999	SEAL	1				
17	64270-01	BOLT-MET HEX M10-1.5X30	1				
18	4128004	BEARING	1				
19	33148-01	SPACER-0.379X0.750X0.25	1				
20	2188131	SPRING-EXTENSION	1				
21	64006-03	WSHR, 3/8 HELICAL LOCK	1				
22	64123-21	BLT-HEX 3/8-24X1-1/4	1				
23	4167906	S-ENGINE DECK W/LABS	1				
		(INCLUDES ITEMS 36 & 37)					
24	64144-40	SNAP RING	1				
25	4161304	BELT PUMP DRIVE	1				
26	64123-216	BLT-HEX 7/16-20X2-1/4	1				
27	38304-03	BEARING-FLNGD PLASTIC	1				
28	64006-03	LOCKWSHR-3/8 HELICAL	4				
29	2720949	ASSY-CLUTCH WIRE	1				
30	64123-15	BLT-HEX 3/8-16X3/4	1				
31	4128002	END CAP	1				
32	4166355	PIN-BELT GUIDE	2				
33	64262-006	BLT-5/16-18X1	2				

FIGURE 4



**PREDATOR-PRO
SERIES**

BUMPER

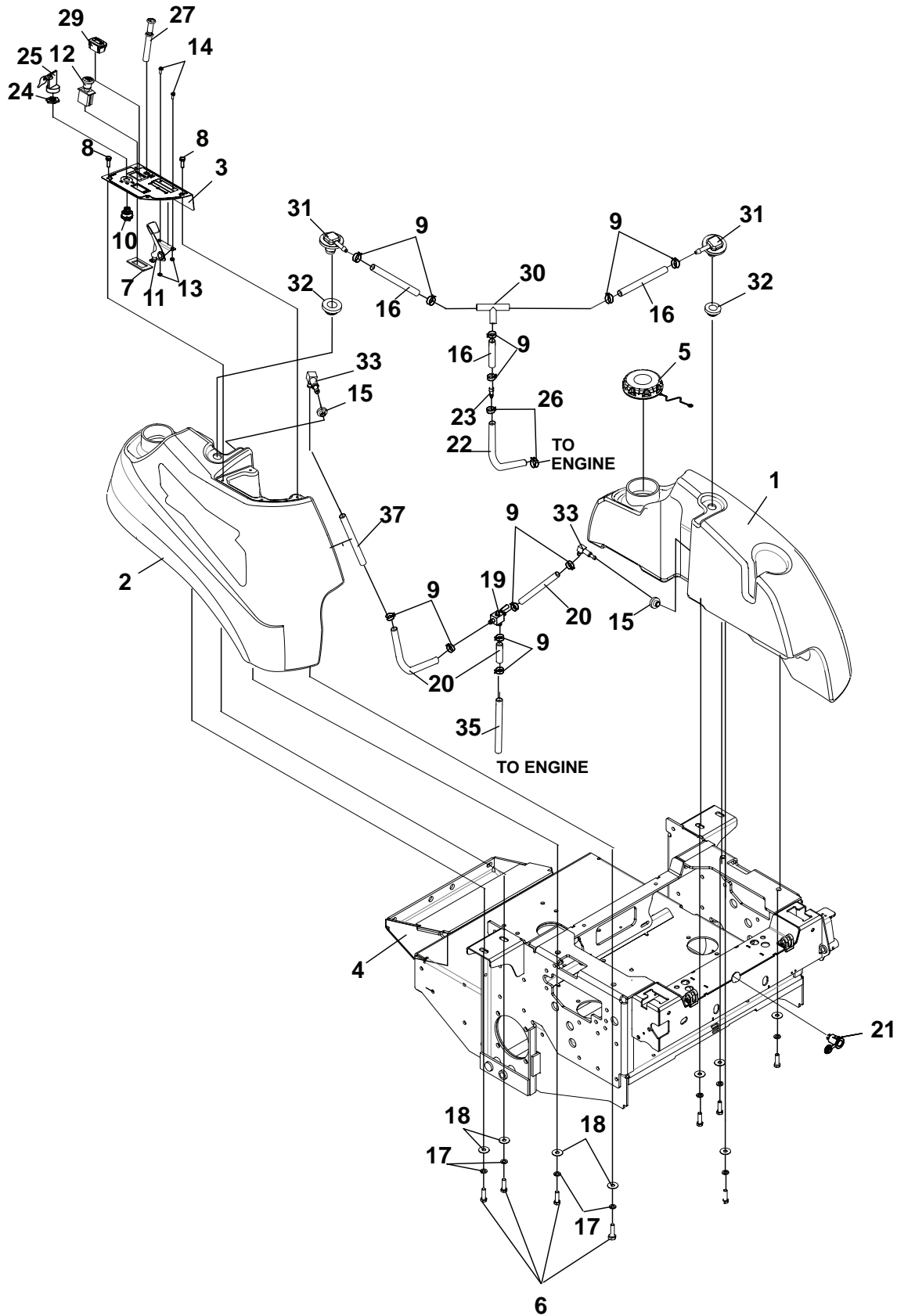
FIGURE 4

ITEM	PART NO.	DESCRIPTION	QTY	ITEM	PART NO.	DESCRIPTION	QTY
1	4167906	S-ENG DECK W/LABS	1				
2	4168775.7	BRKT-BUMPER, TOP	1				
3	4165490.7	WRAPPER-BUMPER	1				
4	4165492.7	STRAP-BUMPER	2				
5	64262-012	BLT-FLG HD 3/8-16 X 1-1/4	12				
6	64268-03	NUT-FL NYLON LOCK 3/8-16					
		QTY 12 ON 61" DECK					
		QTY 16 ON 72" DECK					
ITEMS 7&8 USED ON 72" DECKS ONLY							
7	4165424.7	WEIGHTS	5				
8	64262-014	BLT-FLANGE HD 3/8-16 X 2	4				

NON-DFI FUEL TANKS/CONTROL PANEL

PREDATOR-PRO SERIES

FIGURE 5



**PREDATOR-PRO
SERIES**

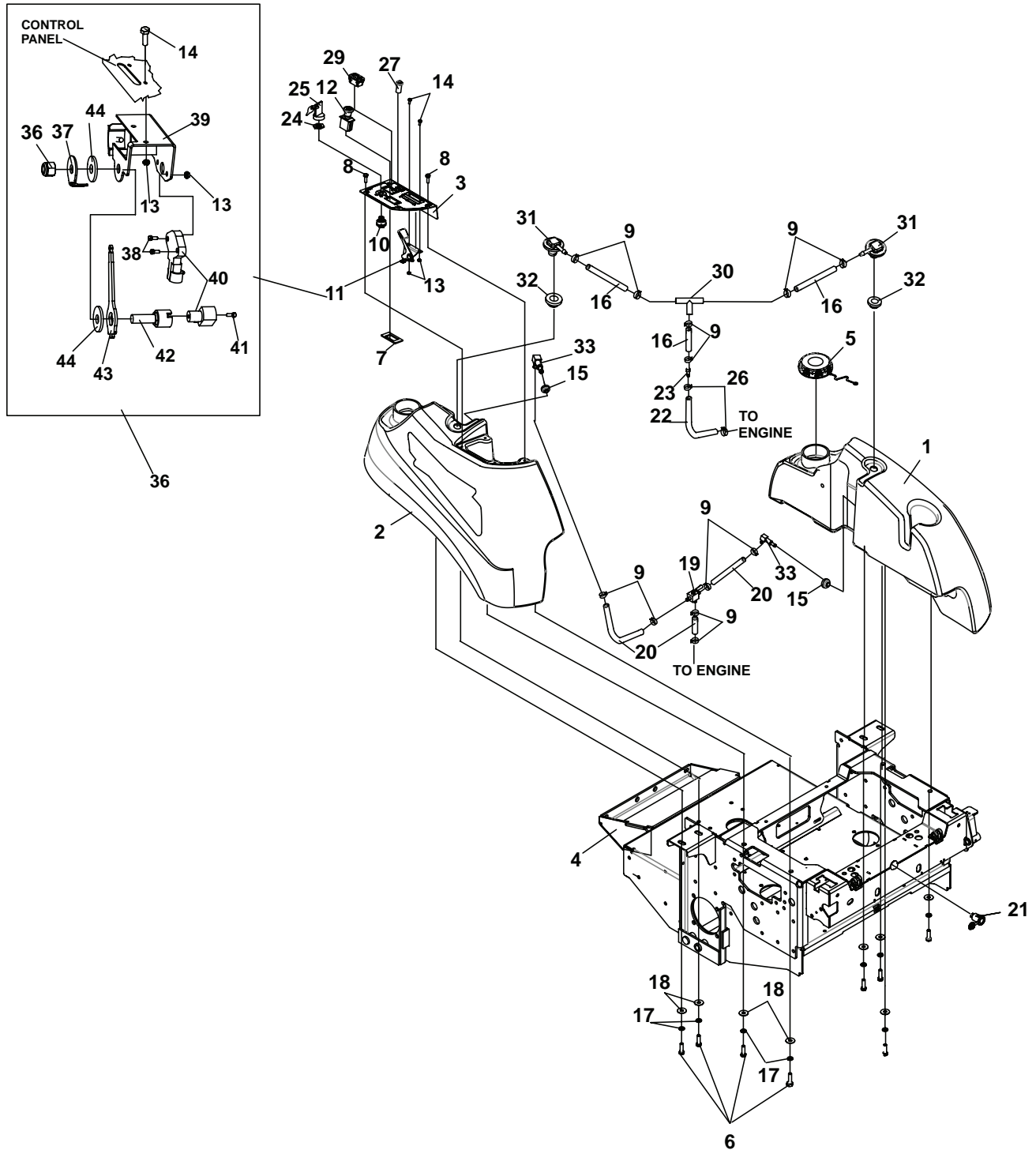
NON-DFI FUEL TANKS/CONTROL PANEL

FIGURE 5

ITEM	PART NO.	DESCRIPTION	QTY	ITEM	PART NO.	DESCRIPTION	QTY
1	4165428	TANK-FUEL LH (INCLUDES ITEMS 15, 31-33, 35, 36, 38)	1				
2	4165429	TANK-FUEL RH (INCLUDES ITEMS 15, 31-33, 35, 36, 38)	1				
3	4165930	S-CONTROL PANEL	1				
4	4167906	S ENG DECK W/LABS	1				
5	4165291	CAP-FUEL, RATCHET TYPE	2				
6	64123-50	BLT-HEX 3/8-16X1	8				
7	2188178	SWITCH-RETAINER	1				
8	64262-001	BLT-FLG HD 1/4-20 X 1/2	4				
9	88042N	HOSE CLAMP	12				
10	128010	KEY-SWITCH	1				
11	118020-16	CONTROL-THROTTLE 48.0	1				
12	2721505	SWITCH-PTO	1				
13	64025-15	NUT-HEX #10-24 KEPS	2				
14	64152-46	SCR.-SLT HH #10-24X1/2	2				
15	4132325	GROMMET-FUEL TANK	2				
16	4162977-020	HOSE,.25IDX.50OD	3				
17	64006-03	LOCKWSHR-3/8 HELICAL	8				
18	64163-31	WSHR 25/64X1X12	8				
19	2188161	VALVE-TANK SELECTOR	1				
20	4162977-001	HOSE,.25IDX.50OD X	2				
21	4142266	CONNECTOR, 12V RECEPT	1				
22	4162989-001	HOSE, FUEL LINE	1				
23	4165864	FTTNG-HOSE 1/4" TO 3/16"	1				
24	128010-01	S-KEY SWITCH NYLON NUT	1				
25	128010-03	S-COVERED KEY	1				
26	88042-01	CLAMP	2				
27	108009-03	CONTROL-CHOKE 51"	1				
28*	64025-04	NUT-3/8-24 HEX (CHOKE)	1				
29	4165120	METER-HOUR	1				
30	4165863	TEE-FITING 1/4" HOSE	1				
31	4165763	ROLL-OVER VENT	2				
32	4165387	GROMMET-ROLL OVER	2				
33	4165429-03	TUBE-PICK UP LH	2				
34*	970391	KIT-LIGHT ACCESSORY	1				
35	4165333-01	CONDUIT-PLASTIC 3/4" X 50 CUT TO 13"	2				
36*	4166704	CLAMP-FUEL	2				

***NOT ILLUSTRATED**

FIGURE 6



**PREDATOR-PRO
SERIES**

DFI FUEL TANKS/CONTROL PANEL

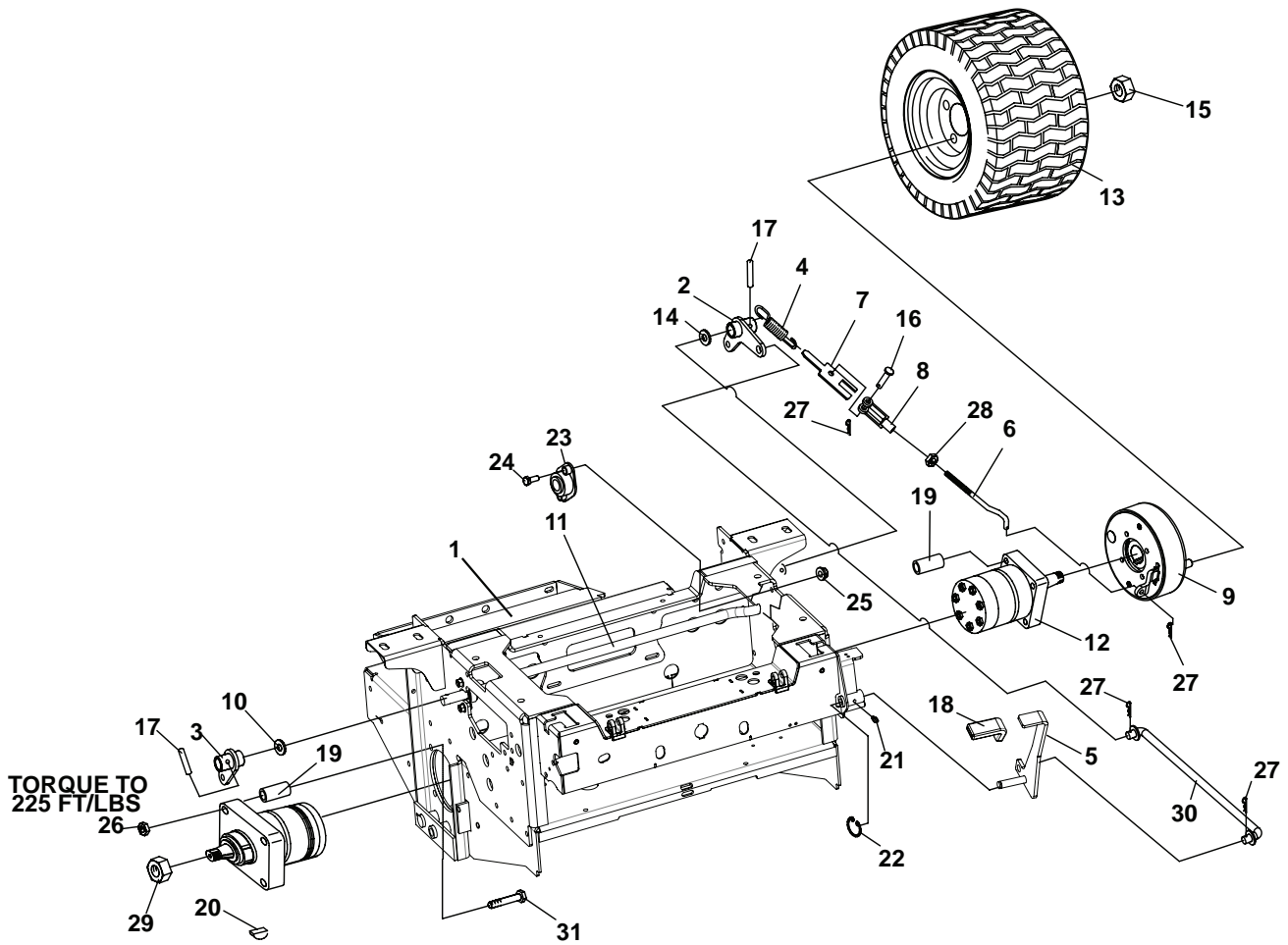
FIGURE 6

ITEM	PART NO.	DESCRIPTION	QTY	ITEM	PART NO.	DESCRIPTION	QTY
1	4165428	TANK-FUEL LH (INCLUDES ITEMS 15, 31-33, 35, 36, 49)	1	33	4165429-03	TUBE -FUEL PICK UP	2
2	4165429	TANK-FUEL RH (INCLUDES ITEMS 15, 31-33, 35, 36, 49)	1	34*	970391	KIT-LIGHT ACCESSORY	1
3	4169449	S-CONTROL PANEL	1	35	4165471	KIT-DFI THROTTLE LEVER (THIS KIT INCLUDES ITEMS 13, 14. 36-44)	1
4	4167906	S ENG DECK W/LABS	1	36		NUT-NYLON LOCK 3/8-24	1
5	4165291	CAP-FUEL, RATCHET TYPE	2	37		TAB, ANTI-ROTATION	1
6	64123-15	BLT-HEX 3/8-16X3/4	8	38		BLT-HEX SOC 10-24X3/4 LG	2
7	2188178	SWITCH-RETAINER	1	39		BRCKT,-THROTTLE CNTRL	1
8	64262-001	BLT-FLG HD 1/4-20 X 1/2	4	40		SENSOR-DFI THROTTLE	1
9	88042N	HOSE CLAMP	12	41		BLT-HEX SOC 6-32X0.5 LG	1
10	128010	KEY-SWITCH	1	42		SHAFT, MAGNET CARRIER	1
11	118020-16	CONTROL-THROTTLE 48.0	1	43		LEVER, THROTTLE DFI	1
12	2721505	SWITCH-PTO	1	44		WSHR-FRICTION.390X1.12	2
13	64025-15	NUT-HEX #10-24 KEPS	2				
14	64152-46	SCR.-SLT HH #10-24X1/2	2				
15	4132325	GROMMET-FUEL TANK	2				
16	4162977-020	HOSE, .25IDX.500D	3				
17	64006-03	LOCKWSHR-3/8 HELICAL	8				
18	64163-31	WSHR 25/64X1X12	8				
19	2188161	VALVE-TANK SELECTOR	1				
20	4162977-001	HOSE, .25IDX.500D X	2				
21	4142266	CONNECTOR, 12V RECEPT	1				
22	4162989-001	HOSE, FUEL LINE	1				
23	4165864	FTTNG-HOSE 1/4" TO 3/16"	1				
24	128010-01	S-KEY SWITCH NYLON NUT	1				
25	128010-03	S-COVERED KEY	1				
26	88042-01	CLAMP	2				
27	4169447	LIGHT-RED,SRVCE ENGINE	1				
28*	4166704	CLAMP-FUEL	2				
29	4165120	METER-HOUR	1				
30	4165863	TEE-FITING 1/4" HOSE	1				
31	4165763	ROLL-OVER VENT	2				
32	4165387	GROMMET-ROLL OVER	2				

***NOT ILLUSTRATED**

**FOR KAWASAKI DUAL FUEL PUMPS SEE PAGES
70-71
AVAILABLE THRU KAWASAKI**

FIGURE 7



**PREDATOR-PRO
SERIES**

BRAKES/REAR WHEEL

FIGURE 7

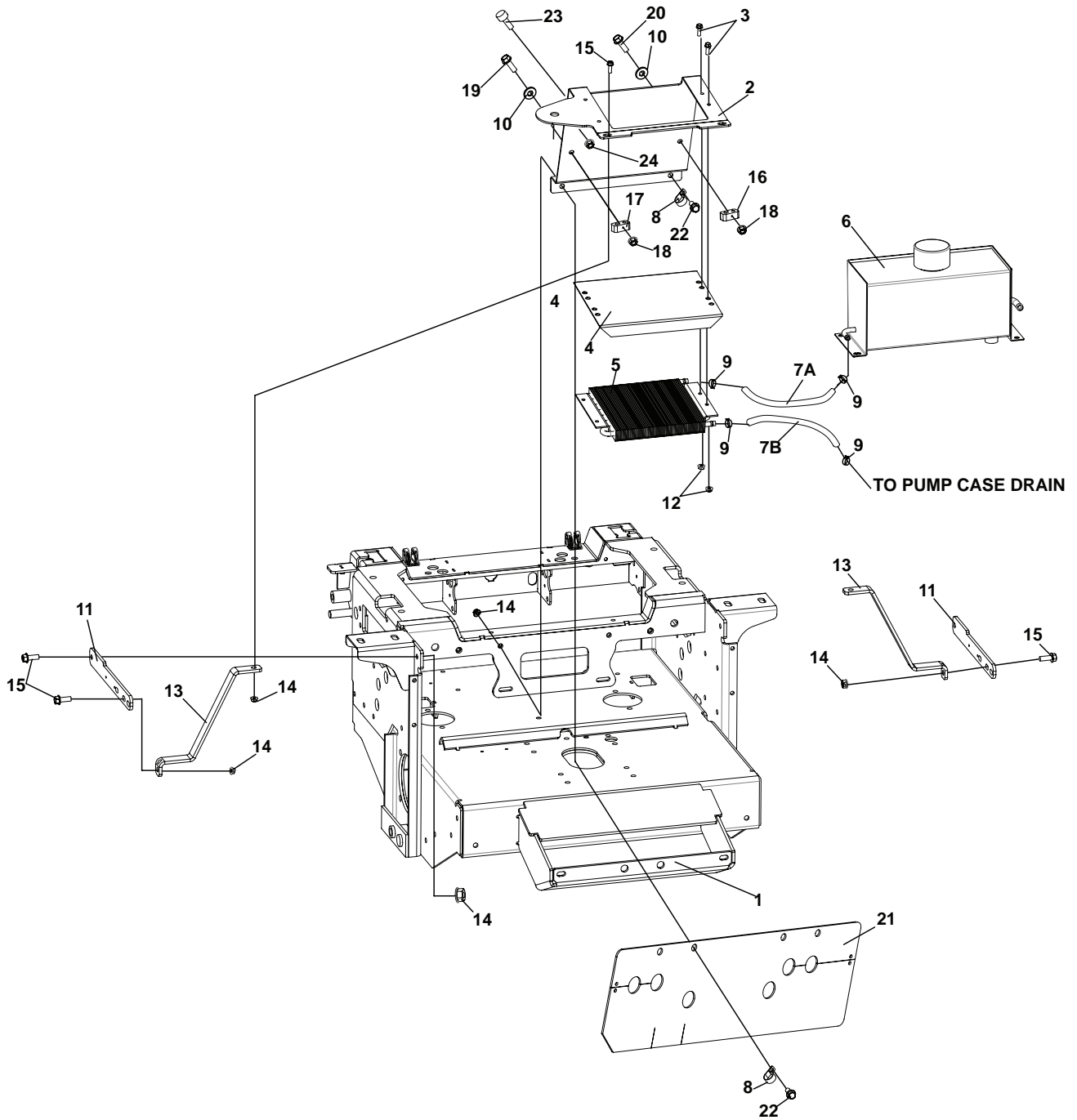
ITEM	PART NO.	DESCRIPTION	QTY	ITEM	PART NO.	DESCRIPTION	QTY
1	4167906	S-ENGINE DECK W/LABS	1	31	64189-21	BLT-HEX SOC 1/2-13X4 1/2	8
2	4165701.7	WLDMT-BRAKE ARM LH	1			(USED ON 61" DECKS ONLY)	
3	4165700.7	WLDMT-BRAKE ARM RH	1		64189-22	BLT-HEX SOC 1/2-13 X 6	
4	128102	SPRING,EXTENSION	2			(USED ON 72" DECKS ONLY)	
5	4165449.7	WLDMT-BRAKE LEVER	1				
6	4159701	ROD-BRAKE CONTROL	2				
		(USED ON 61" DECKS)					
	4159700	ROD-BRAKE CONTROL					
		(USED ON 72" DECK)					
7	2182387.7	GUIDE-SPRING	2				
8	38020N	CLEVIS YOKE, 5/16 PLATE	2				
9	4167999	BRAKE-PARKER	2				
9A*	4167999-01	BRAKE-BACK PLATE	1				
9B*	4167999-02	BRAKE-DRUM	1				
9C*	4159281-003	BRAKE-SCREW	4				
10	64163-06	WSHR,.768/.756X1.25X14	A/R				
11	4159000	BAR-PARKING BRAKE	1				
12	4159280	MOTOR-PARKER	2				
		(INCLUDES ITEMS 20 & 24)					
*	970438	KIT-WHEEL HUB PULLER					
13	4165553	WHEEL-ASSY, 24X12.00-12	2				
	4165553-01	RIM-8 SPOKE 4 HOLE W/VALV					
	1985085-02	TIRE 24X12.00-12NHS 4PLY					
	4158422-02	TIRE 24X12-12 OTR FTLT					
14	64163-89	WSHR- 1.25ODX.76IDX18GA	1				
15	64187-03	WHEEL NUT-1/2-20	8				
16	64188-02	PIN, CLEVIS 5/16X1	2				
17	64061-25	ROLL PIN-1/4X1-1/4	2				
18	2188155	GRIP, 1/4X1X4-1/2	1				
19	2183063-01	SPACER, 32MM LONG	8				
		(USED ON 61" DECKS ONLY)					
	2183063-05	SPACER, 19-05X12.97X4	16				
		(USED ON 72" DECKS ONLY)					
20	64164-08	S-KEY FOR WHEEL MOTOR	2				
21	85010N	ZERK, 1/4-28 STR SLFTHRD	1				
22	64144-34	SNAP RING.50	1				
23	2188145	BEARING-.75ID SELF ALIGN	2				
24	64123-15	BOLT-3/8-16X3/4 HEX	4				
25	64268-03	NUT-FL NYLN LCK 3/8-16	4				
26	64229-05	NUT-NYLON LOCK 1/2-13	8				
27	64168-2	COTTER-HAIRPIN.08X1.19	4				
28	64025-03	NUT-HEX 5/16-24	2				
29	64025-31	NUT 1-20 UNSLOTTED TRW	2				
30	4159242	WLDMT-PRK BRAKE ROD	1				

*NOT ILLUSTRATED

OIL COOLER

PREDATOR-PRO SERIES

FIGURE 8



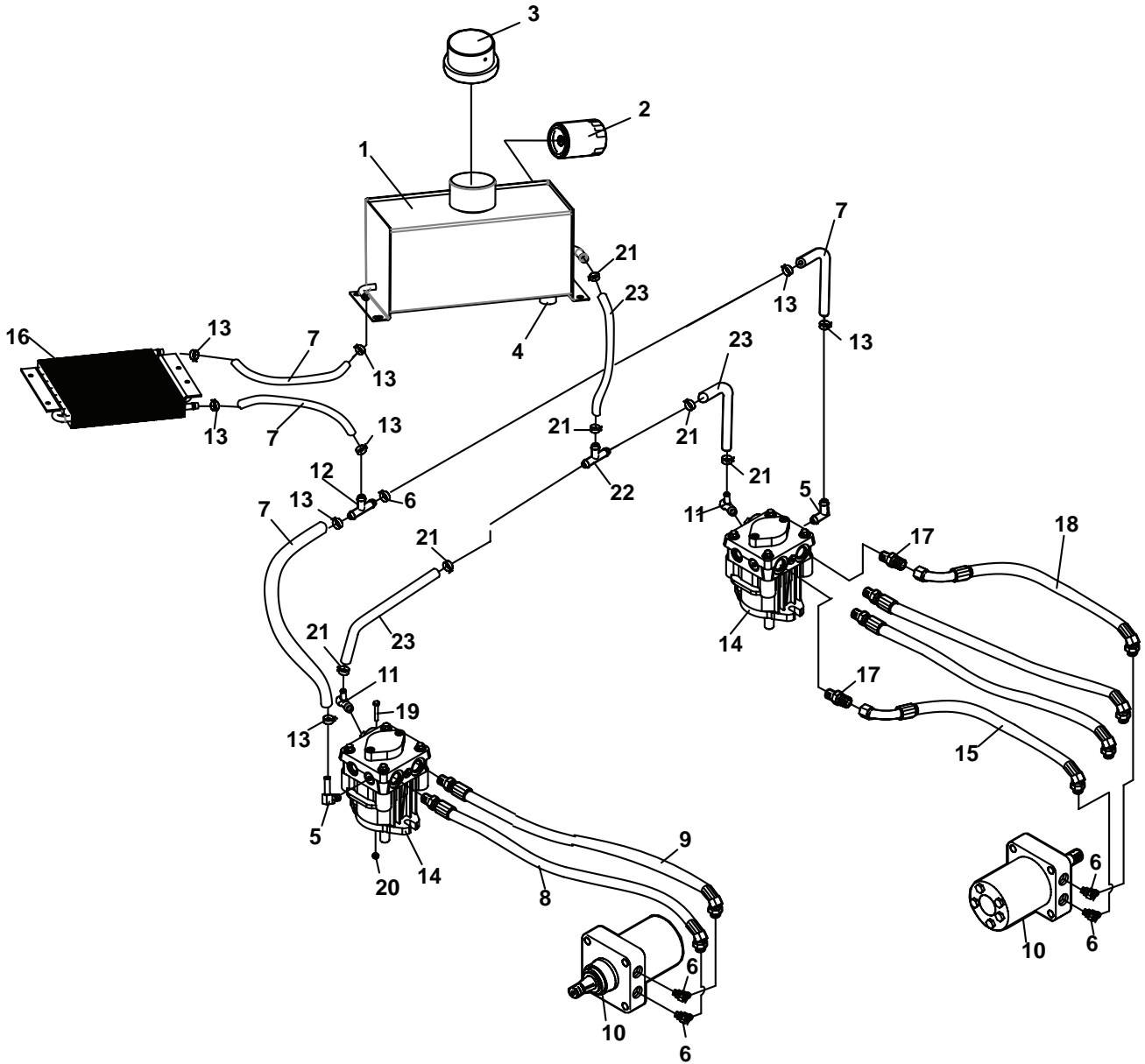
**PREDATOR-PRO
SERIES**

OIL COOLER

FIGURE 8

ITEM	PART NO.	DESCRIPTION	QTY	ITEM	PART NO.	DESCRIPTION	QTY
1	4167906	S ENGINE DECK W/LABS	1				
2	4166416.7	BRKT-COOLER FRONT (USED ON KAWASAKI MODELS)	1				
	4166418.7	BRKT-COOLER FRONT (USED ON GENERAC MODELS)					
3	64262-002	BLT-FLG HD 1/4-20 X 3/4	4				
4	2720891.7	SCREEN-OIL COOLER	1				
5	2188173	COOLER-OIL	1				
6	4167655	S HYD RSRVR W/LABS	1				
	(69053-05 IS A SERVICEABLE LENGTH OF 55")						
7A	69053-05	3/8 HIGH TEMP HOSE	1				
7B	69053-05	3/8 HIGH TEMP HOSE	1				
8	48412-01	CABLE-CLIP N	2				
9	88042-04	CLAMP-3/4 CLIP	4				
10	64163-03	WSHR .256X.62X18GA	2				
11	4165492.7	ARM-BUMPER	2				
12	64229-01	NUT-NYLON LOCK 1/4-20	4				
13	4169245.7	BRKT-COOLER REAR (USED ON DFI MODELS)					
	4169246.7	BRKT-COOLER REAR (USED ON GENERAC MODELS)					
14	64268-03	NUT-FL NYLON LOCK 3/8-16	8				
15	64262-012	BLT-FLG HD 3/8-16 X 1-1/4	4				
16	4165752	CLAMP-HOSE, 5/8IN	1				
17	4165751	CLAMP-HOSE, 1/2IN	1				
18	64229-01	NUT-NYLON LOCK 1/4-20	2				
19	64123-07	BLT-HEX 1/4-20X1-1/2	1				
20	64123-60	BLT-HEX 1/4-20X2	1				
21	4165457	SHEILD-HEAT	1				
22	64262-011	BLT-FLG HD 3/8-16 X 1	4				
23	4143354	BUMPER-RUBBER	2				
24	64141-6	NUT-WLF 5/16-18	4				

FIGURE 9



**PREDATOR-PRO
SERIES**

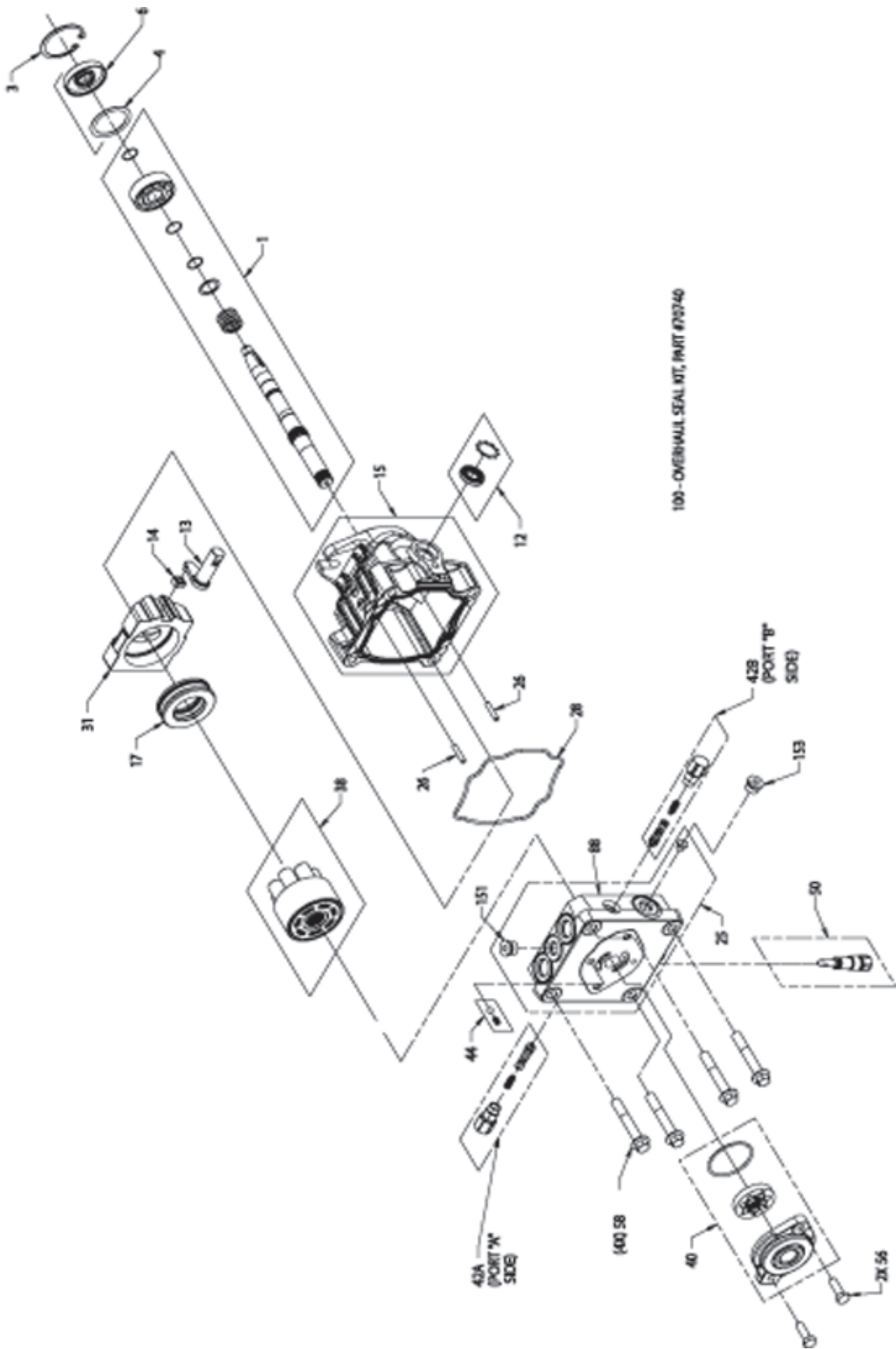
AIR COOLED HYDRAULICS

FIGURE 9

ITEM	PART NO.	DESCRIPTION	QTY
1	4167655	S HYD RESERVOIR W/LAB	1
2	2720396	FILTER 25 MICRON	1
3	4167240	CAP-RESERVOIR	1
4	4160243	PLUG-HYDRAULIC TANK	1
5	158058-04	FTG-90 BRB 9/16-18X.38	2
6	108205-03	ELBOW-MALE 45 37-ORB	4
7	69053-05	3/8 HIGH TEMP HSE (69053-05 IS A SERVICEABLE LENGTH OF 55")	4
8	LH PUMP PORT A-HOSE KAW MODEL 2188157-02 GENERAC MODEL 2188157-02		1 1
9	LH PUMP PORT B-HOSE KAW MODEL 2720320-02 GENERAC MODEL 2188157-01		1 1
10	4159280	MOTOR-PARKER	2
11	158058-19	FTG-90 ORB X 90 BARB	2
12	58026-01	3 WAY CONNECTOR 3/8	2
13	88042-04	CLAMP-HOSE 5/8	14
14	4165664	PUMP-HYDRO 16cc	2
15	RH PUMP PORT A-HOSE KAW MODEL 2720320-01 GENERAC MODEL 2720320-01		1 1
16	2188173	OIL COOLER	1
17	48089-03	FTG-STRGHT 8 ORB X 8 JIC KAW QTY 2 RH PUMP PORT A&B KAW QTY 1 LH PUMP PORT B GENERAC QTY 1 RH PUMP PORT A	
18	RH PUMP PORT B-HOSE KAW MODEL 2720320-01 GENERAC MODEL 2188157-01		1 1
19	64123-60	BOLT, 1/4-20X2 HEX	2
20	64229-01	LOCKNUT-NYL 1/4-20	2
21	88042-05	CLAMP-HOSE 13/16	6
22	58026-04	3 WAY CONNECTOR 3/16	1
23	4165341-02	HOSE-HYDR, 8IN LNG	2

SAE PORT 'O' RING		
PART NUMBER	THREAD SIZE	AS-568#
158061-10	9/16-18	-906
158061-11	3/4-16	-908
158061-12	7/8-14	-910
158061-13	1-1/16-12	-912
158061-14	1-5/16-12	-916
158061-16	1-5/8-12	-920
158061-03	1-7/8-12	-924

FIGURE 10



**PREDATOR-PRO
SERIES**

HYDROGEAR PUMP

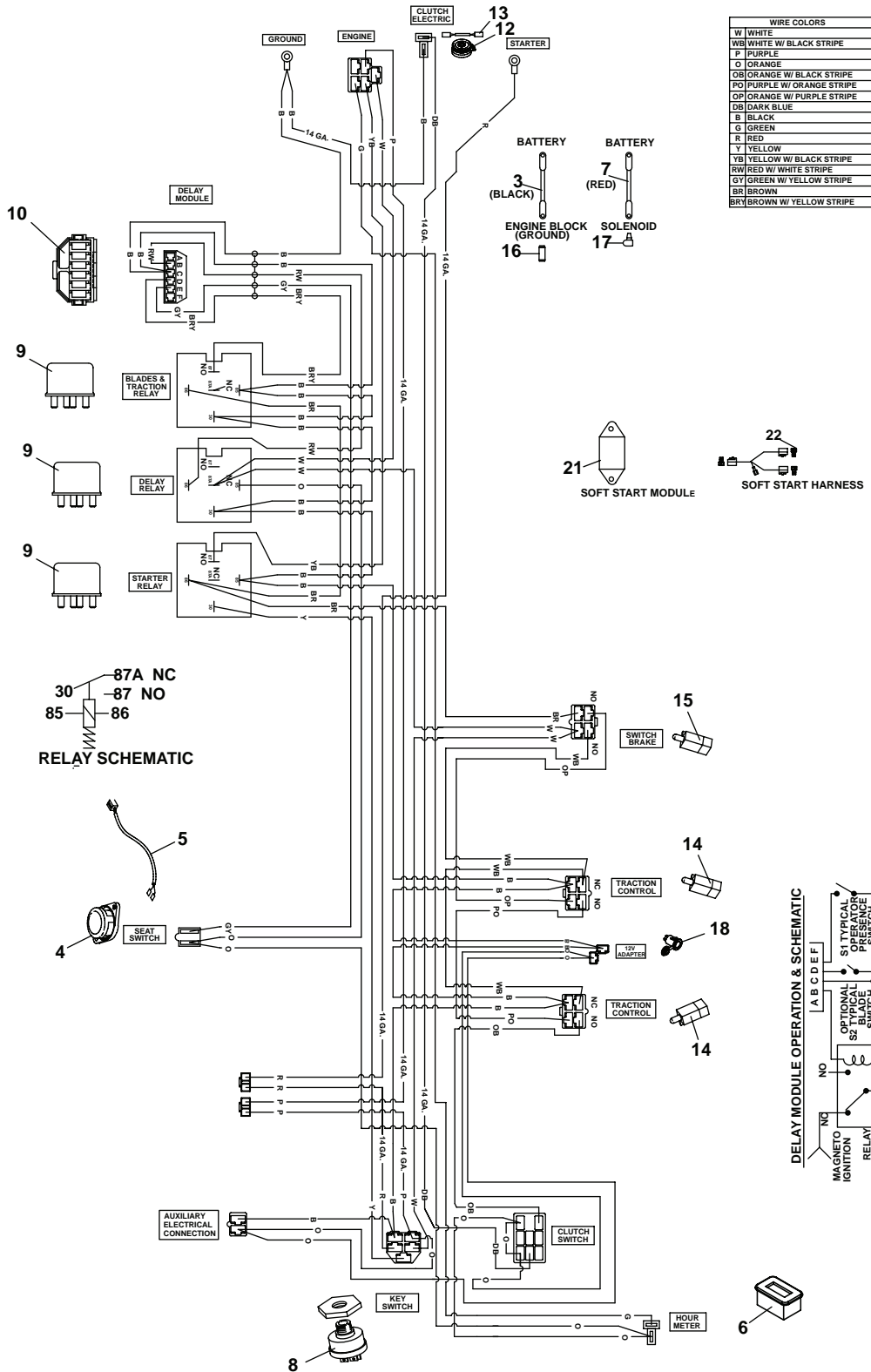
FIGURE 10

ITEM	HYDROGEAR PART NO.	CGC, INC. PART NO.	DESCRIPTION	QTY
1	71019	4157242-001	PUMP SHAFT KIT-TAPERED	1
3	2000038	4157242-002	RETAINING RING	1
4	2000023	4157242-003	SPACER	1
6	51092	4157242-004	LIP SEAL	1
12	70739	4157242-005	TRUNNION SEAL/RETAINER	1
13	2000014	4157242-006	TRUNNION ARM	1
14	2000015	188059-09	SLOT GUIDE	1
15	70738	4157242-007	HOUSING KIT	1
17	51462	4157242-008	BALL THRUST BEARING	1
25	72161	415664-001	END CAP KIT (STD)	1
	(ORDER 28 AND 38 ALSO)			
26	50641	4157242-010	STRAIGHT HEADLESS PIN	2
28	51436	4155664-002	HOUSING O-RING	1
	(ORDER 25 AND 38 ALSO)			
29	52371	4157242-012	VALVE PLATE	1
31	51436	4157242-013	SWASHPLATE	1
38	72158	4165664-003	CYL BLOCK KIT (16 cc)	1
	(ORDER 28 AND 25 ALSO)			
40	2510071	4157242-015	CHARGE PUMP KIT	1
42A	70743	4121354	SHOCK VALVE KIT (0.031" ORF)	1
42B	70741	4121355	SHOCK VALVE KIT (BLANK)	1
44	70402	4157242-016	CHARGE RELIEF VALVE KIT	1
50	2513030	4157242-019	BYPASS VALVE KIT (BLANK)	1
56	50173	4157242-021	HEX FLANGE BOLT-M8-1.25X25	2
58	51457	4157242-022	FH M10 X 65	4
100	70740	4157242-023	OVERHAUL SEAL KIT	1
153	9005100-5600	4157242-025	9/16 STEEL PLUG	1

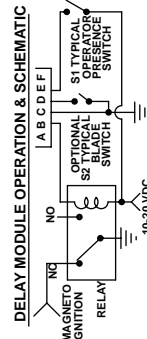
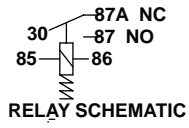
NON-DFI WIRE HARNESS

PREDATOR-PRO SERIES

FIGURE 11



WIRE COLORS	
W	WHITE
WB	WHITE W/BLACK STRIPE
P	PURPLE
O	ORANGE
OB	ORANGE W/BLACK STRIPE
PO	PURPLE W/ORANGE STRIPE
OP	ORANGE W/PURPLE STRIPE
DB	DARK BLUE
B	BLACK
G	GREEN
R	RED
Y	YELLOW
YB	YELLOW W/BLACK STRIPE
RW	RED W/WHITE STRIPE
GY	GREEN W/YELLOW STRIPE
BR	BROWN
BY	BROWN W/YELLOW STRIPE



RELAY IS ENERGIZED (ENGINE OPERATES) WHEN S2 IS CLOSED (BLADE DISENGAGED) OR WHEN S1 IS CLOSED (OPERATOR IN POSITION), OR FOR APPROX. 1/2 SECOND AFTER S1 IS OPENED.

**PREDATOR-PRO
SERIES**

NON-DFI WIRE HARNESS

FIGURE 11

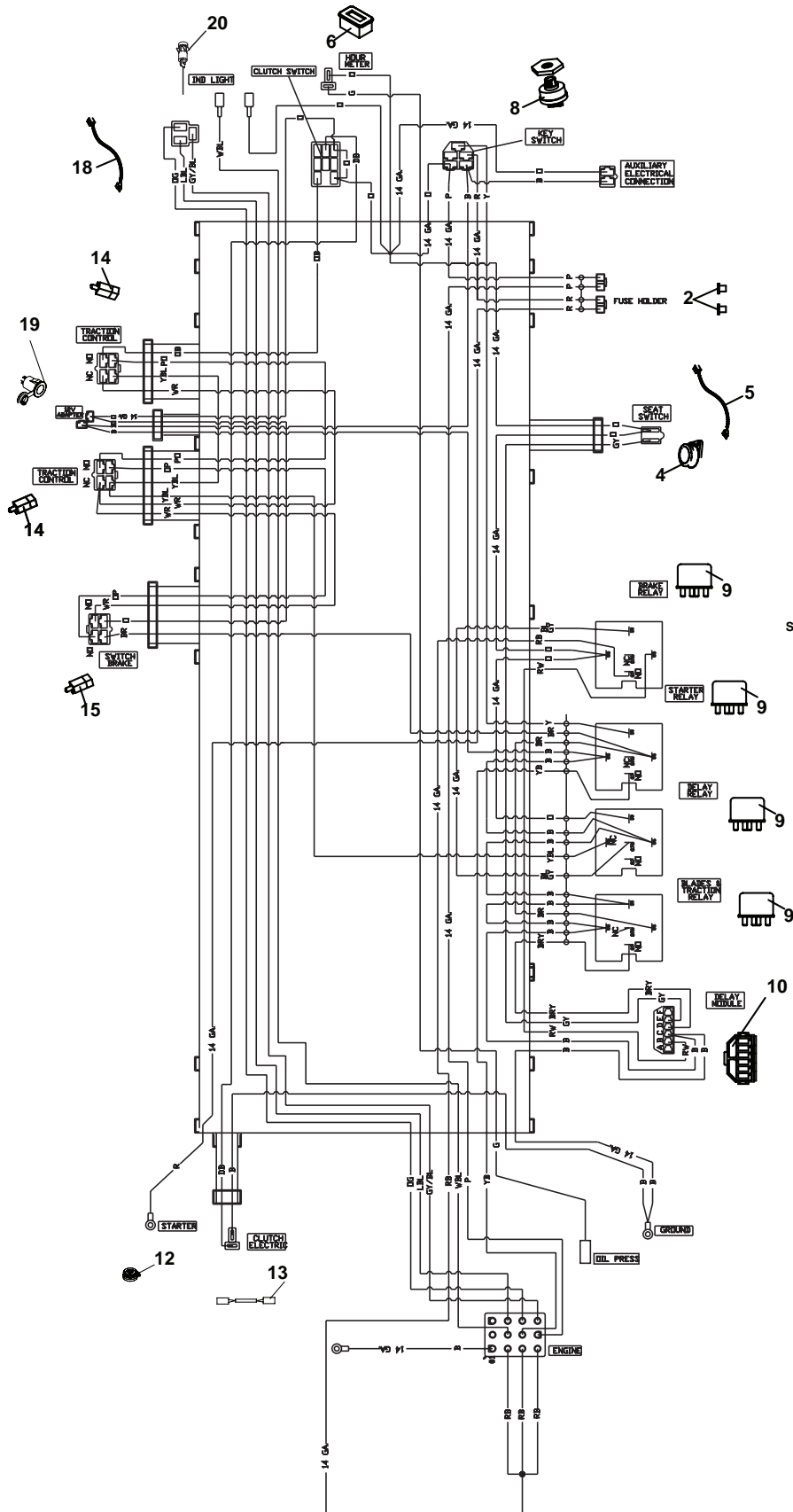
ITEM	PART NO.	DESCRIPTION	QTY	ITEM	PART NO.	DESCRIPTION	QTY
1	4165575	HARNESS-WIRING MAIN	1				
2	148082-20	FUSE-20 AMP	2				
3	108061-13	CABLE-BATTERY 36 BLACK	1				
4	4124009	SWITCH-SEAT, NO	1				
5	4143068	JUMPER-SEAT SWITCH	1				
6	4165120	METER-HOUR	1				
7	2722227-02	CABLE-BATT W/CONDUIT (INCLUDES ITEMS 20 & 21)	1				
8	128010	KEY-SWITCH	1				
9	2722325	RELAY-40AMP SEALED	3				
10	2188154	MODULE-DELAY	1				
11	2721505	SWITCH-PTO	1				
12	2721337	CLUTCH-ELECTRIC	1				
13	4165709	ASSY-CLUTCH WIRE (KAWASAKI MODELS ONLY)	1				
	4165784	ASSY-CLUTCH WIRE (GENERAC MODELS ONLY)					
14	108208	SWITCH-DBL POLE	2				
15	2188156	SWITCH-NONO DBL POLE	1				
16	108061-04	CABLE-BATTERY 20 RED	1				
17	2188224	HARNESS-JUMPER	1				
18	4142266	CONNECTOR-12V	1				
19*	2308095	COVER-TERMINAL	3				
20*	112386	BOOT-BAT TERM POS	1				
21	4169459	CONTROL-SOFT START	1				
22	4165923	HARNESS-SOFT START	1				
23*	4166663	HARNESS-END JUMPER	1				

*NOT ILLUSTRATED

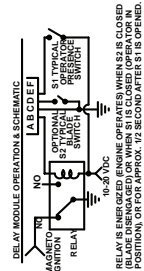
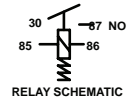
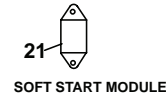
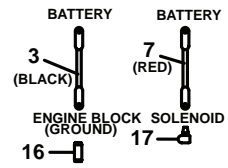
DFI WIRING HARNESS

PREDATOR-PRO SERIES

FIGURE 12



WIRE COLORS	
B	BLACK
BLGY	BLUE W/ GREY STRIPE
BR	BROWN
BRY	BROWN W/ YELLOW STRIPE
DB	DARK BLUE
G	GREEN
GY	GREEN W/ YELLOW STRIPE
GY/BLGREY	W/ BLUE STRIPE
LBL	LIGHT BLUE
D	DRAINAGE
DB	DRANGE W/ BLACK STRIPE
DP	DRANGE W/ PURPLE STRIPE
DG	DRANGE W/ GREEN STRIPE
P	PURPLE
PD	PURPLE W/ DRANGE STRIPE
R	RED
RB	RED W/ BLACK STRIPE
RW	RED W/ WHITE STRIPE
WBL	WHITE W/ BLUE STRIPE
WR	WHITE W/ RED STRIPE
Y	YELLOW
YB	YELLOW W/ BLACK STRIPE
YBL	YELLOW W/ BLUE STRIPE



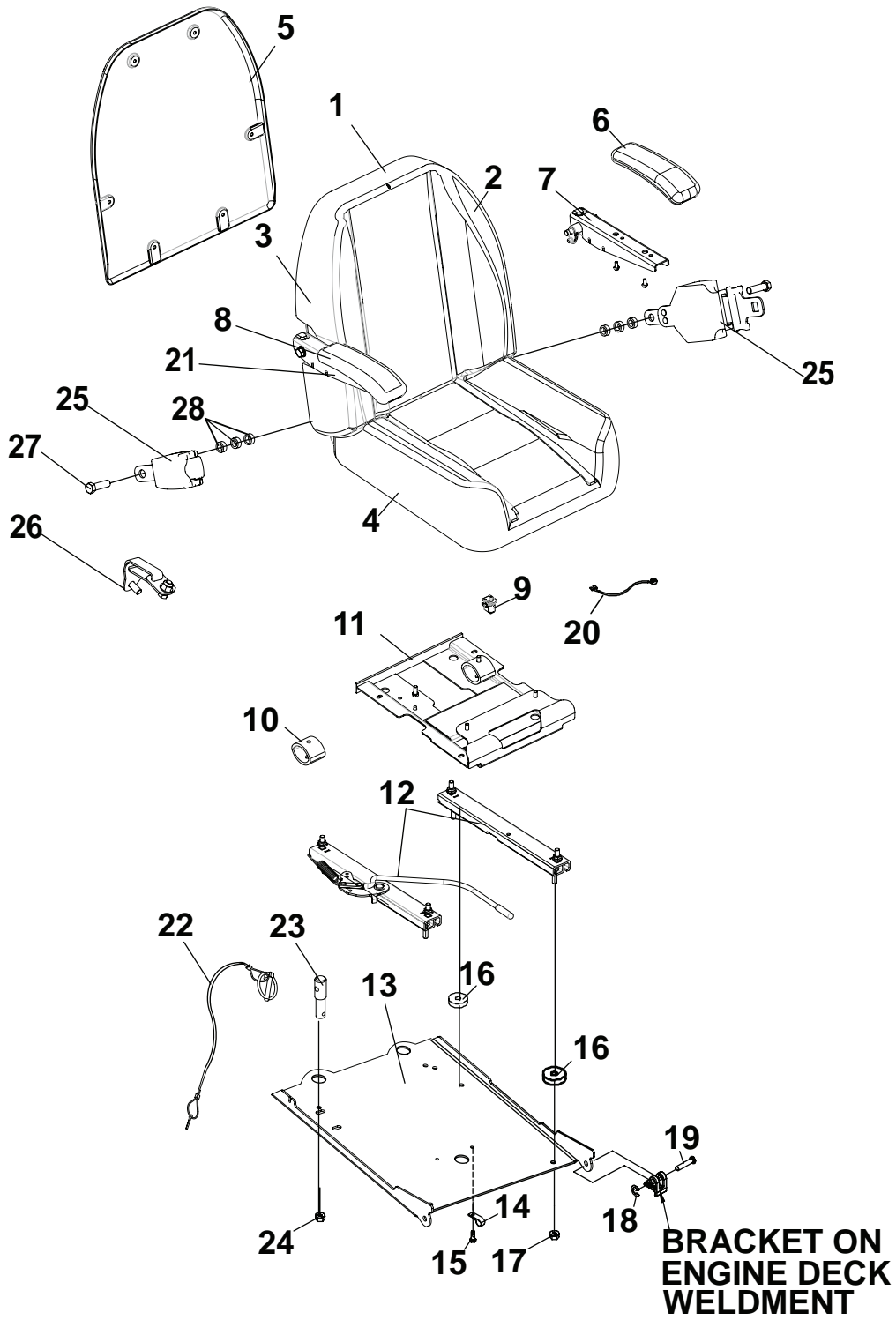
**PREDATOR-PRO
SERIES**

DFI WIRE HARNESS

FIGURE 12

ITEM	PART NO.	DESCRIPTION	QTY	ITEM	PART NO.	DESCRIPTION	QTY
1	4165599	HARNESS-WIRING MAIN	1				
2	148082-20	FUSE-20 AMP	2				
3	108061-13	CABLE-BATTERY 36 BLACK	1				
4	158135-01	SWITCH-SEAT, NO	1				
5	158136	WIRE-SEAT SWITCH	1				
6	4165120	METER-HOUR	1				
7	2722227-02	CABLE-BATT W/CONDUIT	1				
8	128010	KEY-SWITCH	1				
9	2722325	RELAY-40AMP SEALED	4				
10	2188154	MODULE-DELAY	1				
11	2721505	SWITCH-PTO	1				
12	4165709	CLUTCH-ELECTRIC (INCLUDES 2720949 WIRE ASSY)	1				
13	2720949	ASSY-CLUTCH WIRE	1				
14	108208	SWITCH-DBL POLE	2				
15	2188156	SWITCH-NONO DBL POLE	1				
16	112386	BOOT-BAT TERM POS	1				
17	2308095	COVER-TERMINAL	1				
18	4164655	JUMPER HARNESS	1				
19	4142266	CONNECTOR-12V	1				
20	4164441	LIGHT-RED INDICATOR	1				
21	4169459	MODULE-SOFT START	1				
22	4165923	HARNESS-SOFT START	1				

FIGURE 13



**PREDATOR-PRO
SERIES**

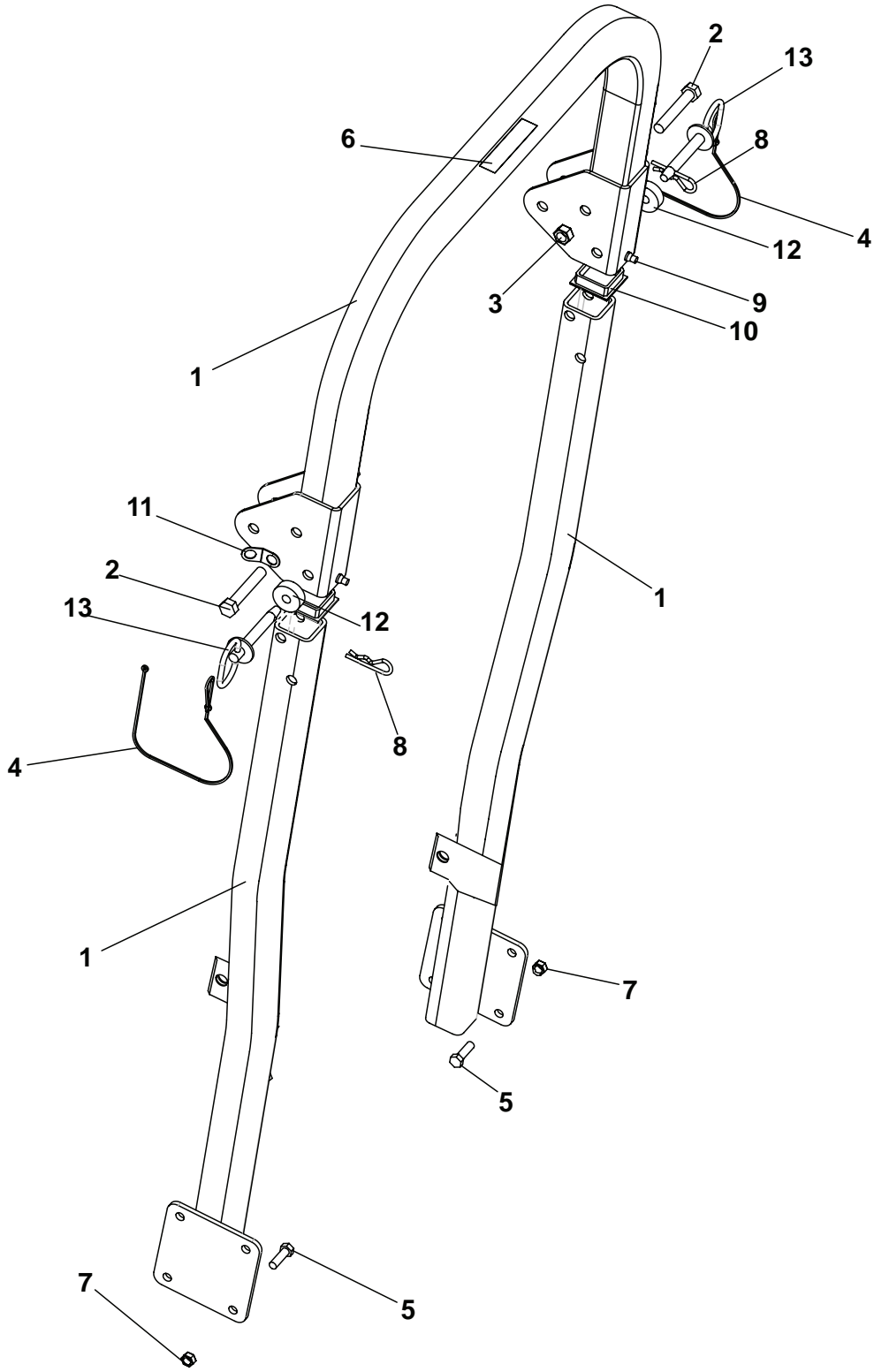
SEAT ASSEMBLY

FIGURE 13

ITEM	PART NO.	DESCRIPTION	QTY	ITEM	PART NO.	DESCRIPTION	QTY
1	4170505	SEAT-SUSPENSION (INCLUDES ITEMS 2-12, 21, 25, 26, 28)	1				
2	4165316-07	UPPER SEAT ASSEMBLY	1				
3	4165316-10	CUSHION-COVER BACK	1				
4	4165316-11	CUSHION COVER	1				
5	4165316-06	PROTECTOR-BACK	1				
6	4165316-02	PAD-ARM SINGLE	2				
7	4165316-05	ARM KIT-LH	1				
8	4165316-04	ARM KIT-RH	1				
9	4124009	SWITCH-SEAT NO	1				
10	4165316-09	KIT-BUMPER	2				
11	4165316-08	SUSPENSION	1				
12	4165316-01	TRACK SET	1				
13	4167770.7	PLTE-SEAT	1				
14	48228A	CABLE CLIP-INSULATED	2				
15	64152-23	SCREW 1/4-20X3/8	2				
16	2720975-09	SPACER	4				
17	64141-6	NUT-WLF 5/16-18	4				
18	64144-30	SNAP RING	2				
19	33138-09	PIN-CLEVIS	2				
20	4143068	JUMPER-SEAT SWITCH	1				
21	4165316-03	ARM KIT-LEFT AND RIGHT	1				
22	4167821	PIN-LYNCH	2				
23	4167707	PIN-SEAT PLATE	2				
24	64229-05	NUT-NYLON LOCK 1/2-13	2				
25	4168198	KIT-SEAT BELT	2				
26	4167820-01	KIT-TETHER	2				
27	64123-122	BLT-7/16-20 X 1 1/2	2				
28	4167820-02	SPACER-SEAT BELT	6				

*** NOT ILLUSTRATED**

FIGURE 14



**PREDATOR-PRO
SERIES**

FOLDING ROPS

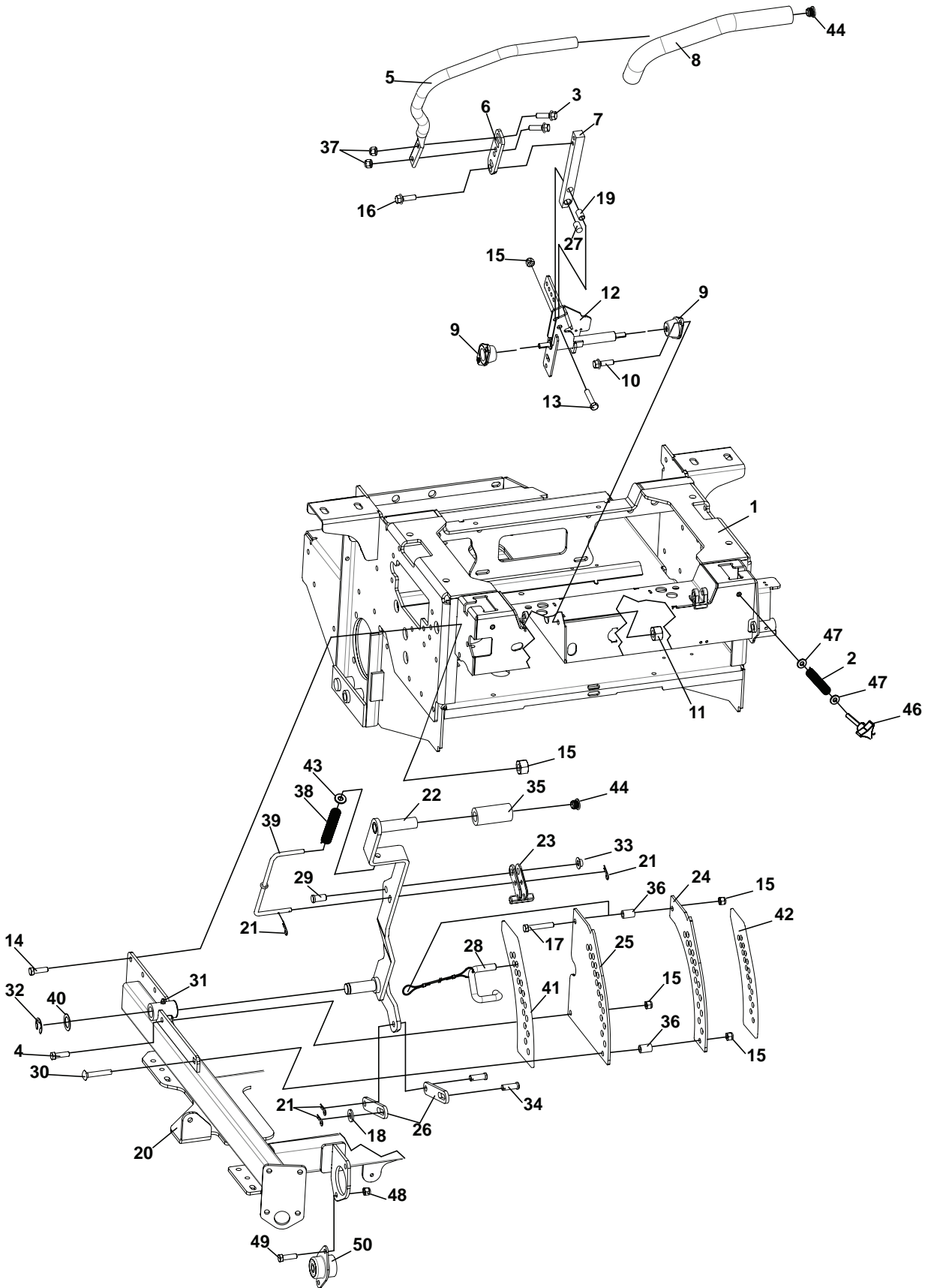
FIGURE 14

ITEM	PART NO.	DESCRIPTION	QTY	ITEM	PART NO.	DESCRIPTION	QTY
1	4168257	S-ROPS W/ LABELS (INCLUDES ITEMS 2-13)	1				
2	64123-31	BOLT-1/2-13 X 3	2				
3	64151-7	LOCKNUT- 1/2-13	2				
4	4162880	LANYARD-NYLON	2				
5	64262-011	BLT-FLG HD 3/8-16X1	8				
6	4160347	LABEL-WARNING ROPS	1				
7	64268-03	NUT-FL NYLN LOCK 3/8-16	8				
8	64168-1	PIN-COTTER	2				
9	4160343	BUMPER RUBBER	2				
10	4160344	PLUG	2				
11	4160348	WASHER-FORMED	2				
12	4162878	WASHER-RUBBER	2				
13	4162879	PIN-HITCH 1/2	2				

STEERING/DECK LIFT

PREDATOR-PRO SERIES

FIGURE 15



**PREDATOR-PRO
SERIES**

STEERING/DECK LIFT

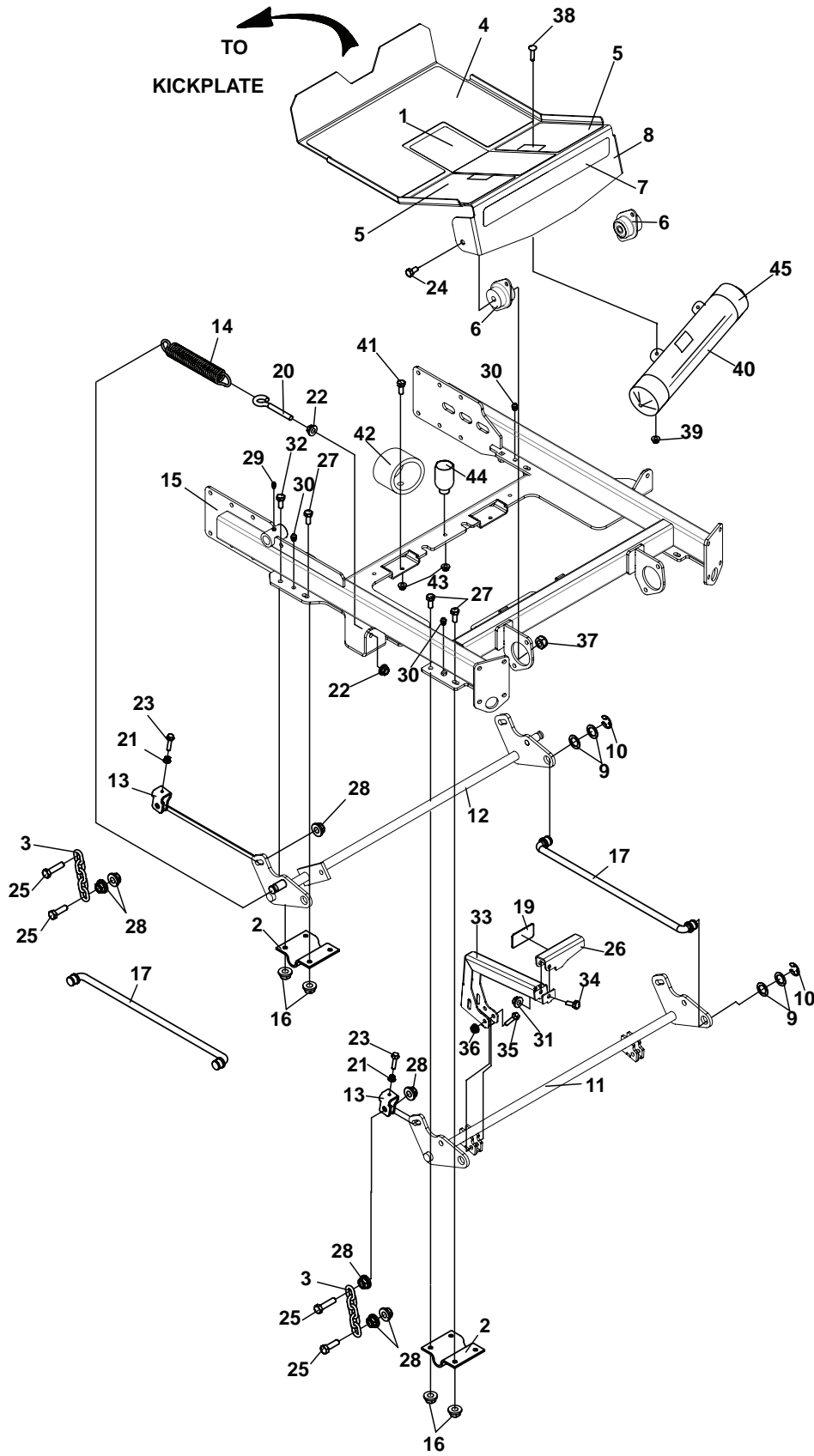
FIGURE 15

ITEM	PART NO.	DESCRIPTION	QTY	ITEM	PART NO.	DESCRIPTION	QTY
1	4167906	S ENGINE DECK W/LABS	1	31	85010N	ZERK, 1/4-28 STR SELF TH 11	
2	4163746	SPRING	2	32	64221-04	E-RING .875	1
3	64018-7	BLT-CRG 3/8-16X1-1/4	4	33	64175-05	NUT-PUSH 1/2	1
4	64123-50	BLT-HEX 3/8-16X1	1	34	64188-36	PIN, CLEVIS 7/16X1-1/4	2
5	4165426.7	LEVER-TRACTION CNTRL	2	35	4165466	GRIP	1
6	4166920.7	BRKT-TRACTION LEVER	2	36	2183071-03	SPACER-15.88X10.32X24	2
7	4169529	BAR-TRACTION CONTROL	2	37	64268-03	NUT-FL NYLON LOCK 3/8-16 4	
8	4165432	GRIP-HANDLE	2	38	2720544	SPRING-COMPRESSION	1
9	2188145	BEARING-.75ID BRZ	4	39	4165448	ROD-LIFT STOP	1
10	64123-15	BOLT-3/8-16X3/4 HEX	8	40	64163-65	WSHR .890X1.375X18GA	6
11	64141-4	NUT-WLF 3/8-16	12	41	4165654	LBL-ZT200 HT CUT OUTER	1
12	4167143	WLDMT-MTN CONTRL LH	1	42	4165655	LBL-ZT200 HT CUT INNER	1
*	4167144	WLDMT-MTN CONTRL RH	1	43	64163-29	WASHER-21/64 X 1 X 11GA	2
13	64123-87	BLT-HEX 3/8-16X1-3/4	2	44	4163692	CAP-END	3
14	64123-16	BLT-HEX 3/8-16X1-1/4	12	45	64229-02	NUT-NYLON LOCK 5/16-18	2
15	64229-03	NUT-NYLON LOCK 3/8-16	20	46	4163446	KNOB	2
16	64262-012	BLT-FLG HD 3/8-16 X 1-1/4	4	47	64163-55	WSHR .328X.75X14 GA	4
17	64123-67	BLT-HEX 3/8-16X2	1	48	64229-03	NUT-NYLON LOCK 3/8-16	4
18	64163-43	WSHR.443/.454X1X11GA	1	49	64262-011	BLT-FLG HD 3/8-16 X 1	4
19	4165474	SPACER	2	50	4165682	MOUNT-ISOLATION, FOOT	2
20	4165390.7	WLDMT-CRADLE	1				
21	64168-2	COTTER-HAIRPIN.08X1.19	4				
22	4165380.7	WLDMT-DECK LIFT LEVER	1				
23	4162904.7	WLDMT-LVR STOP LATCH	1				
24	4165384.7	BRKT-INNER DECK LIFT	1				
25	4165385.7	BRKT-OUTER DECK LIFT	1				
26	4165389.7	BRACKET-LIFT LINK	2				
27	4162999	SPACER	1				
28	4165656	ASSY, PIN & LANYARD	1				
29	64188-53	PIN-CLEVIS 1/2X1.0	1				
30	64018-38	BOLT-CRG 3/8-16 X 2-1/4	1				

CRADLE ASSEMBLY

PREDATOR-PRO SERIES

FIGURE 16



**PREDATOR-PRO
SERIES**

CRADLE ASSEMBLY

FIGURE 16

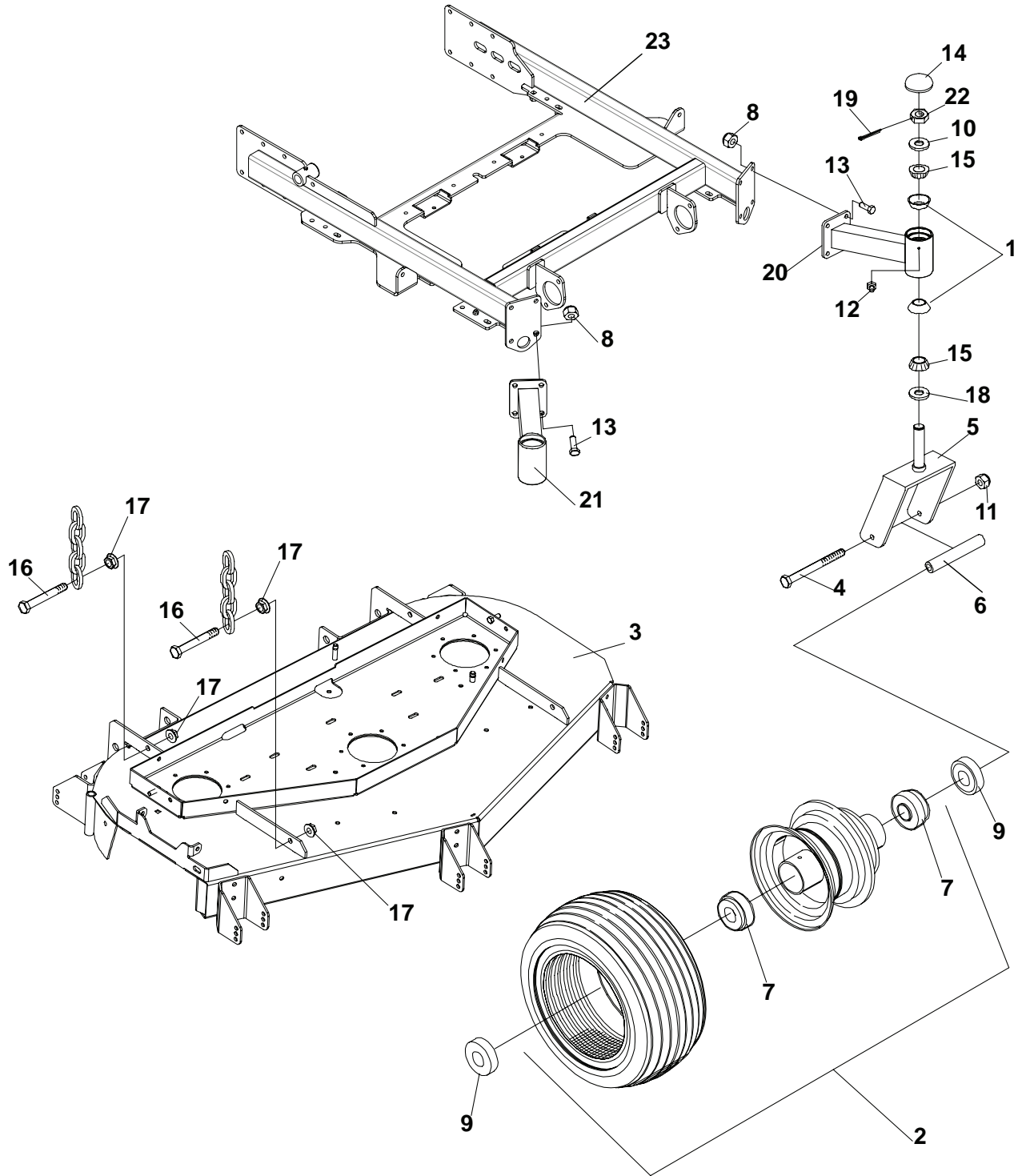
ITEM	PART NO.	DESCRIPTION	QTY	ITEM	PART NO.	DESCRIPTION	QTY
1	4165610	LABEL-WARNING	1				
2	2182356.7	BRACKET-SHAFT HANGER	4				
3	2188127	CHAIN-6.35 (.250) 5 LINKS					
		QTY 4 USED ON 61" DECKS					
		QTY 2 USED ON 72" DECK					
	2722454	CHAIN-6.35 (.250) 3 LINKS					
		QTY 2 USED ON 72" DECK					
4	4165647	MAT-FOOT PLATE LOWER	1				
5	4166266	MAT-FOOT PLATE MIDDLE	2				
6	4165682	MOUNT-ISOLATOR	2				
7	4165657	LABEL-PROCAT	1				
8	4166267	S-FOOT PLATE (BOBCAT)	1				
		(INCLUDES ITEMS 4, 5, 7, 38,39,40, 45)					
9	64163-65	WASHER-.890X1.375X18GA	8				
10	64221-04	E-RING.875	4				
11	4165379.7	WLDMT-DECK LIFT, FRONT	1				
12	4165427.7	WLDMT-DECK LIFT, REAR	1				
13	2722630	CLIP-DECK HEIGHT ADJ	4				
14	4165675	SPRING-DECK LIFT	2				
15	4165390.7	WLDMT-CRADLE	1				
16	64268-03	NUT-FL NYLN LCK 3/8-16	15				
17	41687826	ROD-DECK LIFT	2				
18 *	4111842.7	BRKT-SPRING ANCHOR LH	1				
19	4165556	MAT-FOOT LIFT	1				
20	4113682	ROD-SPRING MOUNT	2				
21	64141-2	NUT-WLF 1/4-20	4				
22	64141-4	NUT-WLF 3/8-16	4				
23	64197-020	BLT-TDFM 1/4-20X1-1/2	4				
24	64123-31	BLT-HEX 1/2-13X3	2				
25	64123-281	BLT-HEX 1/2-13X2 FL THRD	8				
26	4165596.7	BRKT-FOOT, LIFT LEVER	1				
27	64262-011	BLT-FLG HD 3/8-16 X 1	15				
28	64141-13	NUT WLF 1/2-13	16				
29	85010N	ZERK, 1/4-28 STR SLFTHRD	1				
30	85051	ZERK-1/8 PIPE	6				
31	64229-03	NUT-NYLON LOCK 3/8-16	1				
32	64018-3	BLT-CRG 3/8-16X1	2				
33	4165593.7	WLDMT-FOOT PEDAL	1				
34	64123-100	BLT-HEX 3/8-16X2-1/4	1				
35	64123-67	BLT-HEX 3/8-16X2	2				
36	64001-6	NUT-HEX JAM 3/8-16	2				
37	64229-05	NUT-NYLON LOCK 1/2-13	2				
38	64018-2	BLT-CRG 1/4-20X3/4	2				
39	64268-01	NUT-FL NYLN LOCK 1/4-20	2				
40	4160281	DOCUMENT TUBE	1				
41	64262-006	BLT-FLG HD 5/16-18 X 3/4	2				
42	4165676	BUMPER-RADIAL	2				
43	64268-02	NUT-FL NYLN LOCK 5/16-18	5				
44	4164210	BUMPER-RUBBER	3				
45	38061A	CAP-DOCUMENT TUBE	1				

***NOT ILLUSTRATED**

CRADLE & CASTER ASSEMBLY

PREDATOR-PRO SERIES

FIGURE 17



**PREDATOR-PRO
SERIES**

CRADLE & CASTER ASSEMBLY

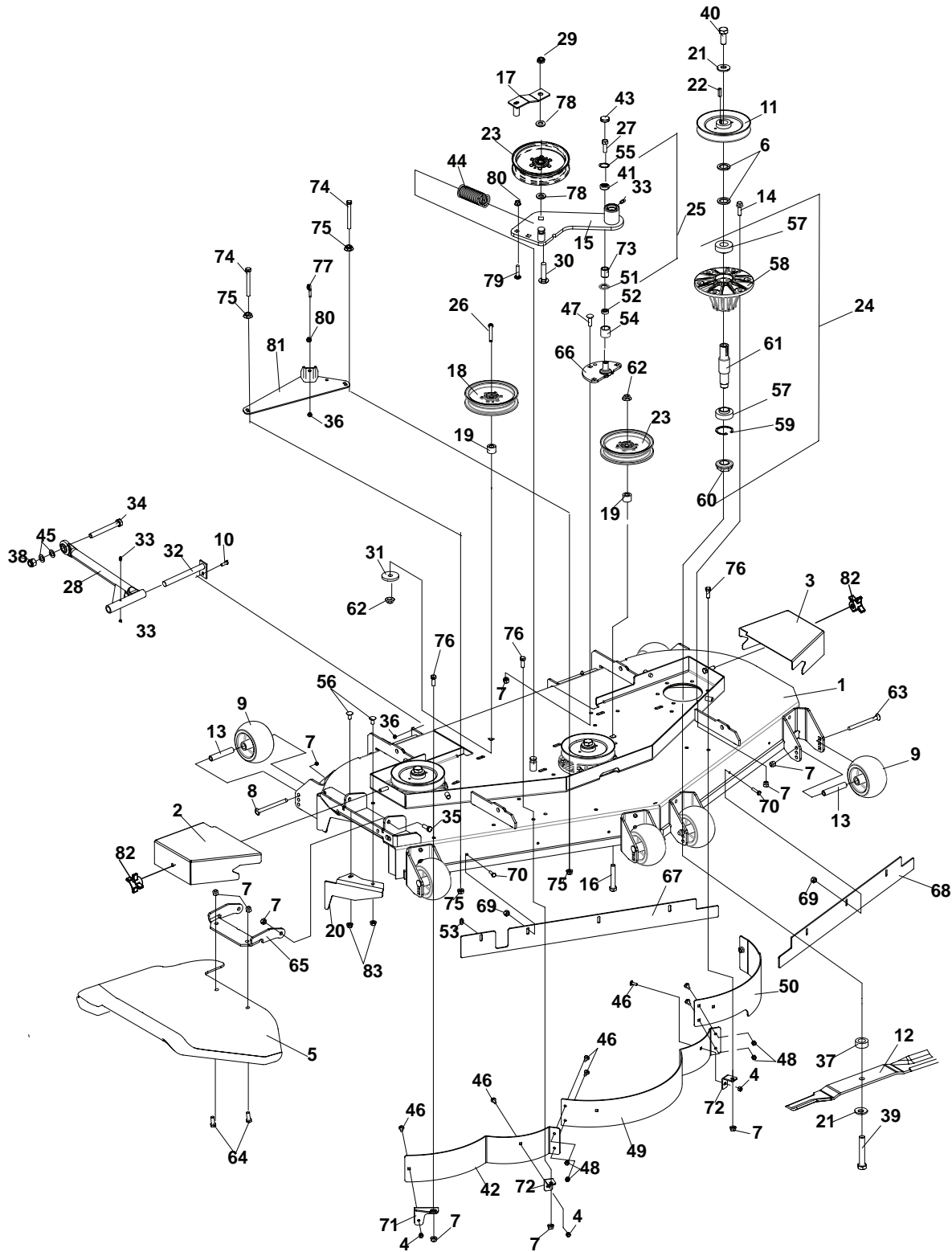
FIGURE 17

ITEM	PART NO.	DESCRIPTION	QTY	ITEM	PART NO.	DESCRIPTION	QTY
1	48043-03C	CUP, OUTER BEARING	4				
2	4165278	ASSY-WHL 13X6.5-6 (INCLUDES ITEM 7)	2				
	4167970	ASSY-WHL HIGH CROWN (OPTIONAL WHEEL ASSY)					
3		DECK/W LABS					
4	64123-223	BOLT-3/4-10 X 10	2				
5	2722452.7	WLDMT-CASTER YOKE	2				
6	2722230-03	SPANNER	2				
7	2722228-03	BEARING	2				
8	64229-03	NUT-NYLON LOCK 3/8-16	8				
9	2722231	SPACER-END	4				
10	64163-26	WASHER	2				
11	64229-07	LOCKNUT-NYLON 3/4-10	2				
12	85010N	ZERK, 1/4-28 STR SLF THD	2				
13	64262-011	BLT-HEX 3/8-16X1	8				
14	2188135	DUST COVER	2				
15	48043-04C	CONE, OUTER BEARING	4				
16	64123-281	BLT-HEX 1/2-13X2 FLLTHD	8				
17	64141-13	NUT WLF 1/2-13	16				
18	48480	SEAL CR 12411	2				
19	64140-5	COTTER PIN	2				
20	4165327.7	WLDMT-CSTR ARM 61 LH (USED WITH 61" DECKS)	1				
	4165328.7	WLDMT-CSTER ARM 72 LH (USED WITH 72" DECKS)					
21	4165324.7	WLDMT-CSTER ARM 61 RH (USED WITH 61" DECKS)	1				
	4165325.7	WLDMT-CSTER ARM 72 RH (USED WITH 72" DECKS)					
22	64025-20	NUT-HEX 3/4-16 SLOT U	2				
23	4165390.7	WLDMT-CRADLE	1				

61" SIDE DISCHARGE

PREDATOR-PRO SERIES

FIGURE 18



**PREDATOR-PRO
SERIES**

61" SIDE DISCHARGE

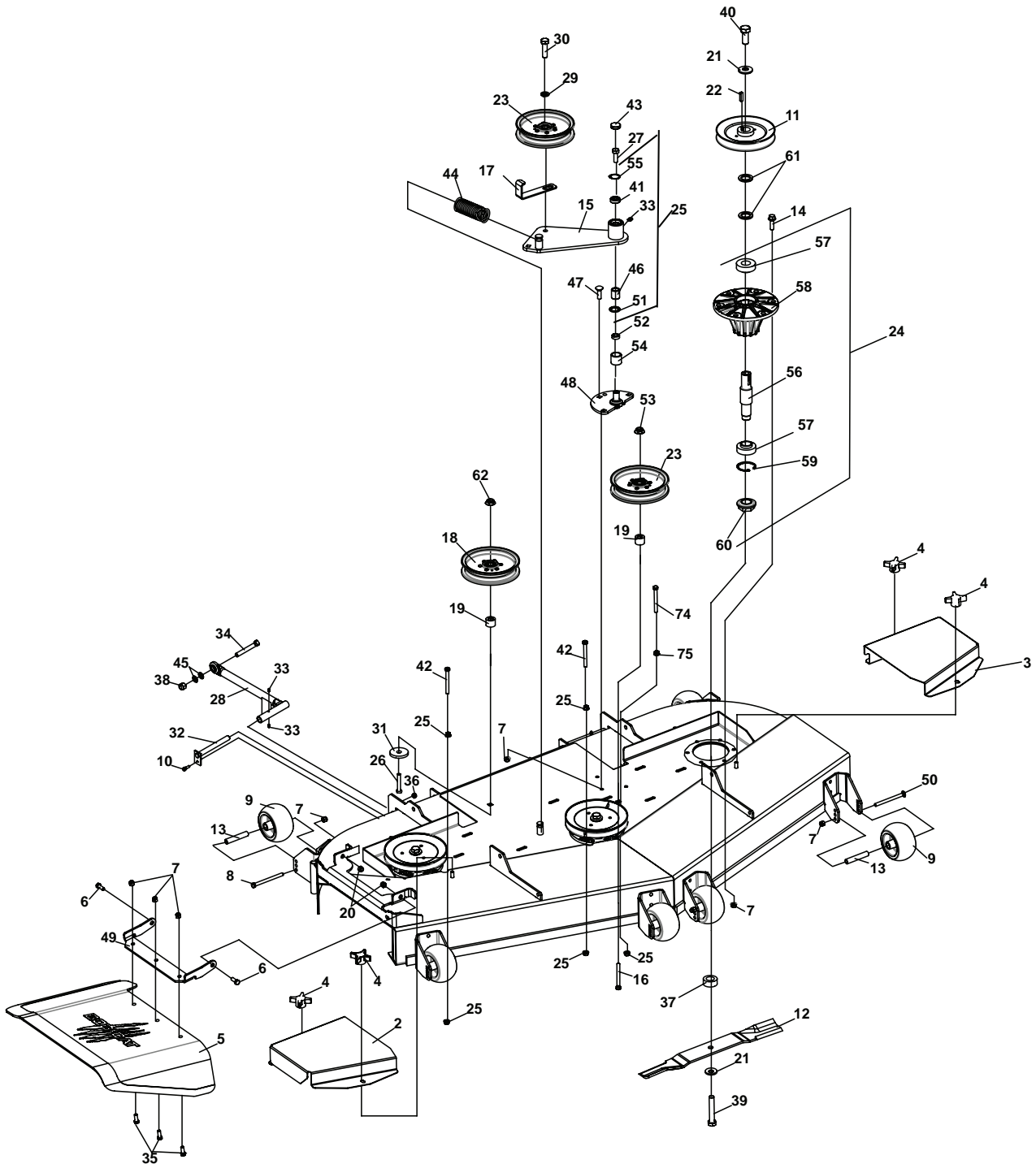
FIGURE 18

ITEM	PART NO.	DESCRIPTION	QTY	ITEM	PART NO.	DESCRIPTION	QTY
1	4166118	S-DECK W/ LABELS 61"	1	42	4168643.7	BAFFLE-FRONT,RH 61IN	1
2	4165456.7	BELT COVER-RH	1	43	4128002	CAP-26 X 7 END	1
3	4165455.7	BELT COVER-LH	1	44	4168493	SPRING-EXTENSION	1
4	64268-01	NUT-FL NYLON LOCK 1/4-20	3	45	64163-93	WSHR-.635 X 1.12 X.062	4
5	4165244	CHUTE-RUBBER ASSY	1	46	64018-2	BLT-CRG 1/4-20X3/4	7
6	64163-68	WSHR-1.015X1.5X9GA		47	64018-7	BLT-CRG 3/8-16X1-1/4	3
		(QTY 3 ON GENERAC, QTY 6 ON KAWASAKI)		48	64229-01	NUT-NYLON LOCK 1/4-20	7
7	64229-03	NUT-NYLON LOCK 3/8-16	39	49	4168642.7	BAFFLE-FRONT,CNTR 61IN	1
8	64123-173	BLT-HEX 3/8-16X4-1/2	3	50	4165968.7	BAFFLE-FRONT,LH 61IN	1
9	2721512	ROLLER-5X2.75 CENTERED	7	51	521438	GREASE SEAL	1
10	64123-68	BLT-HEX 5/16-18X1	2	52	4163014	SPACER	1
11	2308140	PULLEY-ENGINE	3	53	64163-55	WSHR .328X.75X14 GA	1
		(USED ON KAWASAKI MODELS)		54	4163155	INNER RING	1
	4130120	PULLEY-ENGINE	3	55	64144-40	SNAP RING-26MM INTENA	1
		(USED ON GENERAC MODELS)		56	64018-23	BLT-CRG 3/8-16X3/4	2
12	112111-03	BLADE 21.00 OFFST HLFT	3	57	38348-01	BEARING-SPINDLE SEALD	6
13	2720685	SPACER-ROLLER	7	58	4164948	HOUSING-SPINDLE 6 HOLE	3
14	64262-012	BLT-FLG HD 3/8-16 X 1-1/4	18	59	64144-38	RING-SNAP	3
15	4168888.7	WLDMT-IDLER ARM	1	60	38315	NUT-SPINDLE	3
16	64018-11	BLT-CRG 1/2-13X3LG	1	61	2183070-02	SHAFT-SPINDLE	3
17	4168884.7	GUIDE, BELT	1	62	64268-05	NUT-FL NYLON LOCK 1/2-13	2
18	4165953	PULLEY-IDLER, 6.0	1	63	64018-30	BLT-CRG 3/8-16 X 4-1/2	4
19	4152578-02	SPACER-2.0 X .516 X 1.07	2	64	64123-16	BLT-HEX 3/8-16X1-1/4	2
20	4168085.2	BAFFLE-DISCHARGE	1	65	4165252.7	HINGE-RUBBER CHUTE	1
21	64209-03	SPRING WASHER.67 ID	6	66	4170021.7	WLDMT-IDLER PIN	1
22	64164-12	KEY-1/4X1 SQ	3	67	4166480.2	EXTENSION-61"RH	1
23	128169	PULLEY IDLER 5.50	2	68	4166481.2	EXTENSION-61"LH	1
24	4165023	ASSY-CTTERDCK SPINDLE	3	69	64141-2	NUT-WLF 1/4-20	7
25	4168886	ASSY-IDLER ARM	1	70	64123-114	BLT-HEX 1/4-20X1	7
		(INCLUDES ITEMS 15, 33, 41, 51, 55, & 73)		71	4168487.2	BRKT-BAFFLE MNYNG, RH	1
26	90-0828	S/B BOLT 1/2-13X3 1/2 NC	1	72	4168523.2	BRKT-BAFFLE MNTG	2
27	64270-02	BLT-HX M10-1.5x30 ISO	1	73	548138	BRG NDL.88 1.12 1	1
28	4133155.7	WLDMT-PUSH ARM ZT2	2	74	64123-171	BLT-HEX 3/8-16X3-1/2	2
29	64151-37	NUT-HEX,1/2-13NYLON JAM	1	75	64141-4	NUT-WLF 3/8-16	4
30	64018-45	BLT-CRG, 1/2-13 X 2-1/4	1	76	64123-15	BLT-HEX 3/8-16X3/4	3
31	64163-74	WSHR-.516IX2.00OX.250	1	77	4169597	EYE BOLT-5/16-18 X 1-1/2	1
32	2186125	WLDMT-LOCK PUSHBAR	2	78	64163-67	WSHR-5/16 X 1X 12 GA	2
33	85010N	ZERK 1/4-28 STR SLF THRD	5	79	64018-34	BLT-CRG 5/16-18 x 1-1/2	1
34	64123-152	BLT-HEX 5/8-11X5	2	80	64141-6	NUT-WLF 5/16-18	2
35	64123-50	BLT-HEX 3/8-16X1	9	81	4169671	S-ASSY, IDLER SPR MNT	1
36	64229-02	NUT-NYLON LOCK 5/16-18	3	82	38524	KNOB-4 PRONG 3/8-16	2
37	4118314	SPACER-BLADE 16MM	3	83	64268-03	NUT-FL NYLON LOCK 3/8-16	2
38	64229-06	NUT-NYLON LOCK 5/8-11	2				
39	64123-187	BLT-HEX 5/8-18 X 3 3/4	3				
40	64123-208	BLT-HEX 5/8-18X1-1/2	3				
41	4128004	BEARING-BALL 10 X 26 X 8	1				

72" SIDE DISCHARGE

PREDATOR-PRO SERIES

FIGURE 19



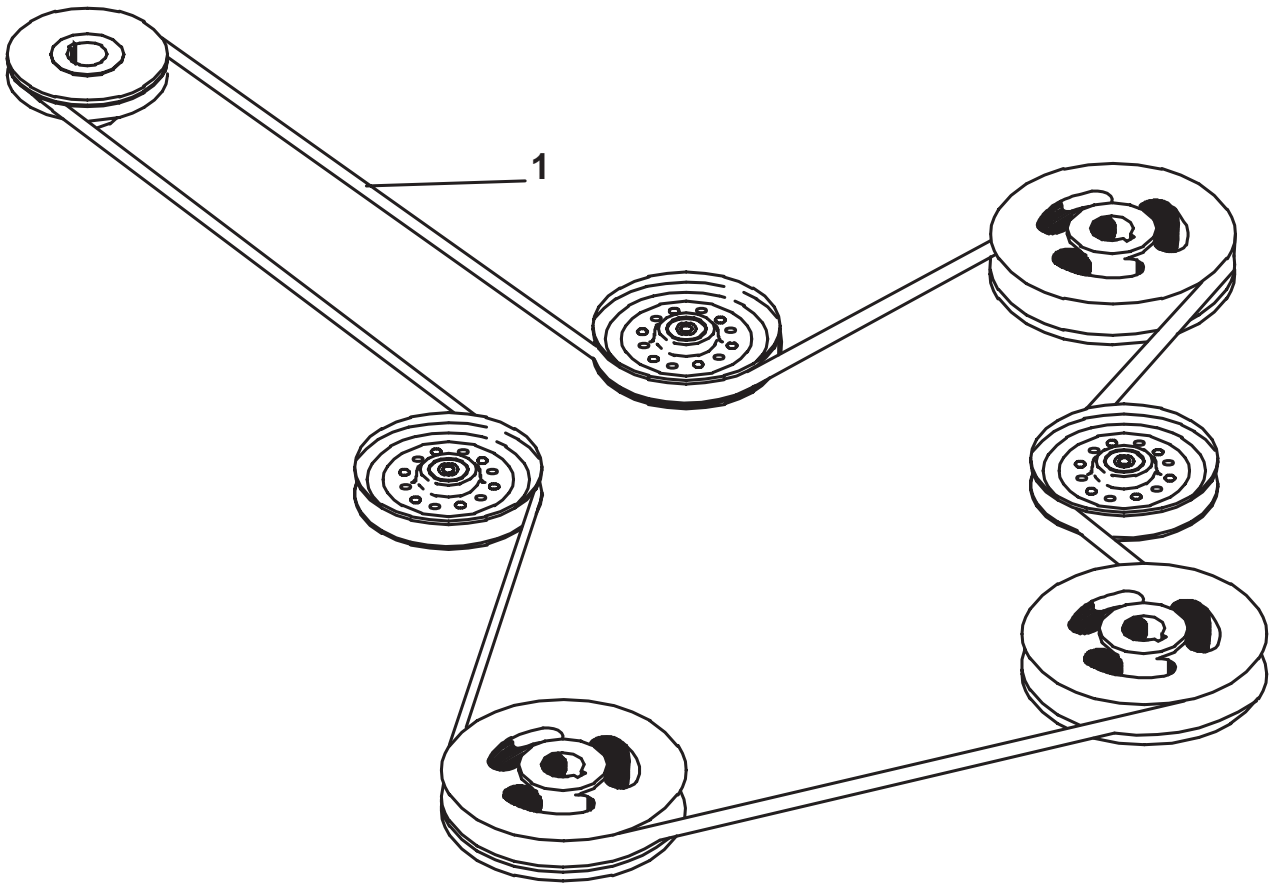
**PREDATOR-PRO
SERIES**

72" SIDE DISCHARGE

FIGURE 19

ITEM	PART NO.	DESCRIPTION	QTY	ITEM	PART NO.	DESCRIPTION	QTY
1	4166120	S-DECK W/ LABELS 72" ZT2	1	50	64018-30	BLT-CRG 3/8-16 X 4-1/2	4
2	4165564.7	GUARD-BELT RH	1	51	521438	GREASE SEAL	1
3	4165563.7	GUARD-BELT LH	1	52	4163014	SPACER	1
4	38524	KNOB-4 PRONG 3/8-16	4	53	64268-05	NUT-FL NYLON LOCK 1/2-13 2	
5	4165439	CHUTE-RUBBER ASSY, 72	1	54	4163155	INNER RING	1
6	64123-39	BLT-HEX 1/2-13X1-1/4	2	55	64144-40	SNAP RING-26MM INTRNL	1
7	64229-03	NUT-NYLON LOCK 3/8-16	31	56	2183070-02	SHAFT-SPINDLE	3
8	64123-173	BLT-HEX 3/8-16X4-1/2	3	57	38348-01	BEARING-SPINDLE SEALD	6
9	2721512	ROLLER-5X2.75 CENTERED	7	58	4164948	HOUSING-SPINDLE 6 HOLE	3
10	64123-68	BLT-HEX 5/16-18X1	2	59	64144-38	RING-SNAP	3
11	4165620	PULLEY-SPINDLE	3	60	38315	NUT-SPINDLE	3
12	112111-07	BLADE 24.50 OFFST HLFT	3	61	64163-68	WSHR-1.015X1.5X9GA	6
13	2720685	SPACER-ROLLER	7				
14	64262-012	BLT-FLG HD 3/8-16 X 1-1/4	18				
15	4165754.7	WLDMT-IDLER ARM	1				
16	64018-11	BLT-CRG 1/2-13X3LG	1				
17	4163514.7	GUIDE, BELT	1				
18	4165953	PULLEY-IDLER, 6.0	1				
19	4162578-02	SPACER-2.0 X .516 X1.07	2				
20	64229-05	NUT-NYLON LOCK 1/2-13	2				
21	64209-03	SPRING WASHER.67 ID	6				
22	64164-12	KEY-1/4X1 SQ	3				
23	128169	PULLEY IDLER 5.50	2				
24	4165023	ASSY-CTTERDCK SPNDLE	3				
25	4165755	ASSY-IDLER ARM	1				
26	90-0828	S/B BOLT 1/2-13X3 1/2 NC	1				
27	64270-02	BLT-HEX M10-1.5x30 ISO	1				
28	4133155.7	WLDMT-PUSH ARM ZT2	2				
29	64006-05	LOCKWSHR-1/2 HELICAL	1				
30	64123-156	BLT-HEX 1/2-20X1-3/4	1				
31	64163-74	WSHR-.516X2.00X.250	1				
32	2186125	WLDMT-LOCK PUSHBAR	2				
33	85010N	ZERK 1/4-28 STR SLF THRD	5				
34	64123-152	BLT-HEX 5/8-11X5	2				
35	64123-50	BLT-HEX 3/8-16X1	3				
36	64229-02	NUT-NYLON LOCK 5/16-18	2				
37	4118314-01	SPACER-BLADE 11MM	3				
38	64229-06	NUT-NYLON LOCK 5/8-11	2				
39	64123-187	BLT-HEX 5/8-18 X 3 3/4	3				
40	64123-208	BLT-HEX 5/8-18X1-1/2	3				
41	4128004	BEARING-BALL 10 X 26 X 8	1				
42	64123-171	BLT-HEX 3/8-16X3-1/2	3				
43	4128002	CAP-26 X 7 END	1				
44	4165943	SPRING-EXTENSION	1				
45	64163-93	WSHR-.635 X 1.12 X.062	2				
46	548138	BRG NDL.88 1.12 1.00	1				
47	64018-7	BLT-CRG 3/8-16X1-1/4	3				
48	4170021.7	WLDMT-IDLER PIN	1				
49	4165445.7	HINGE-CHUTE 72IN	1				

FIGURE 20



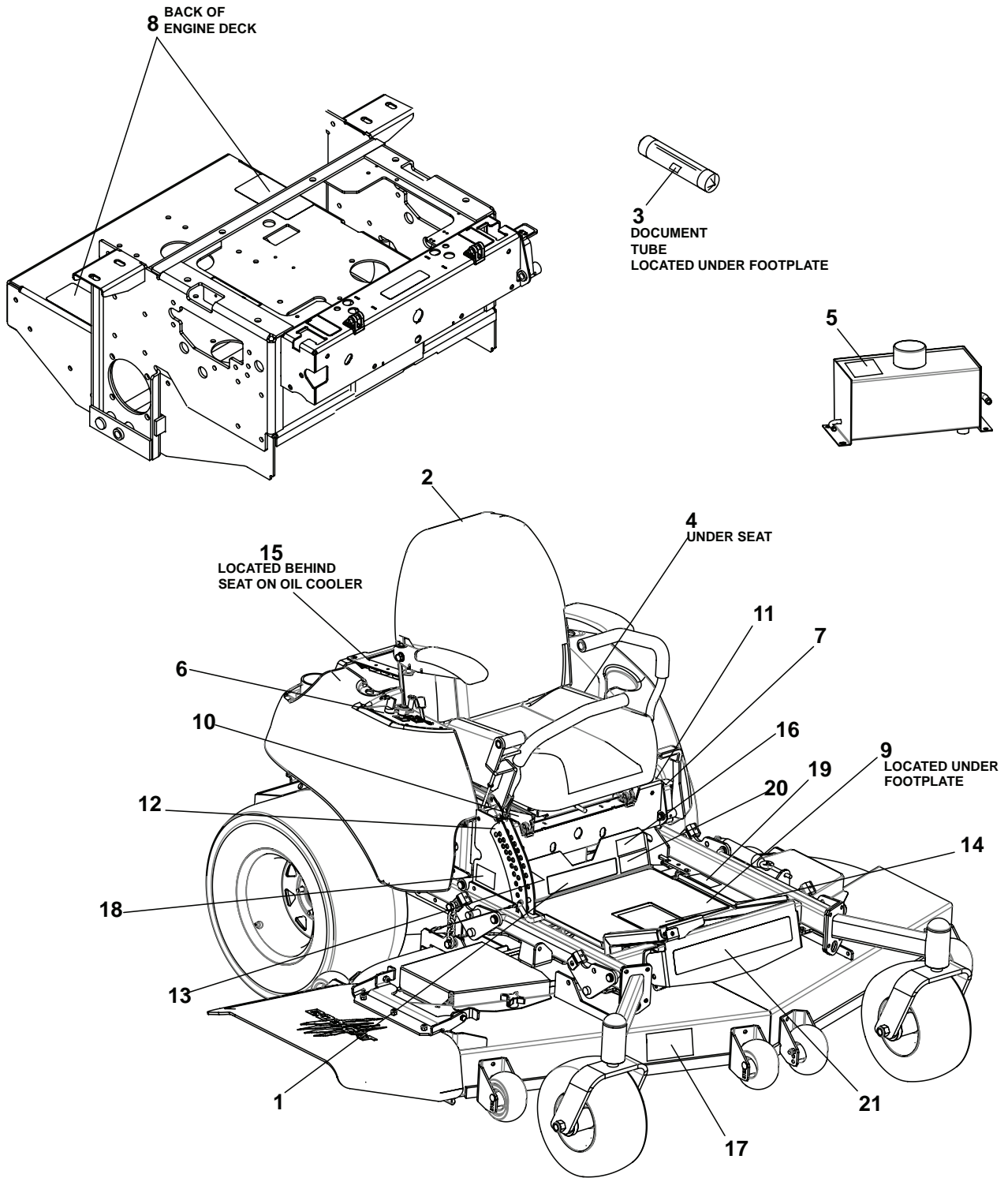
**PREDATOR-PRO
SERIES**

BELTS-CUTTERDECK

FIGURE 20

ITEM	PART NO.	DESCRIPTION	QTY	ITEM	PART NO.	DESCRIPTION	QTY
1	4165617	BELT-DECK 72" GENERAC	1				
	4165645	BELT-DECK 72" KAWASAKI					
	4169714	BELT-DECK 61" GENERAC					
	4169463	BELT-DECK 61" KAWASAKI					

FIGURE 21



**PREDATOR-PRO
SERIES**

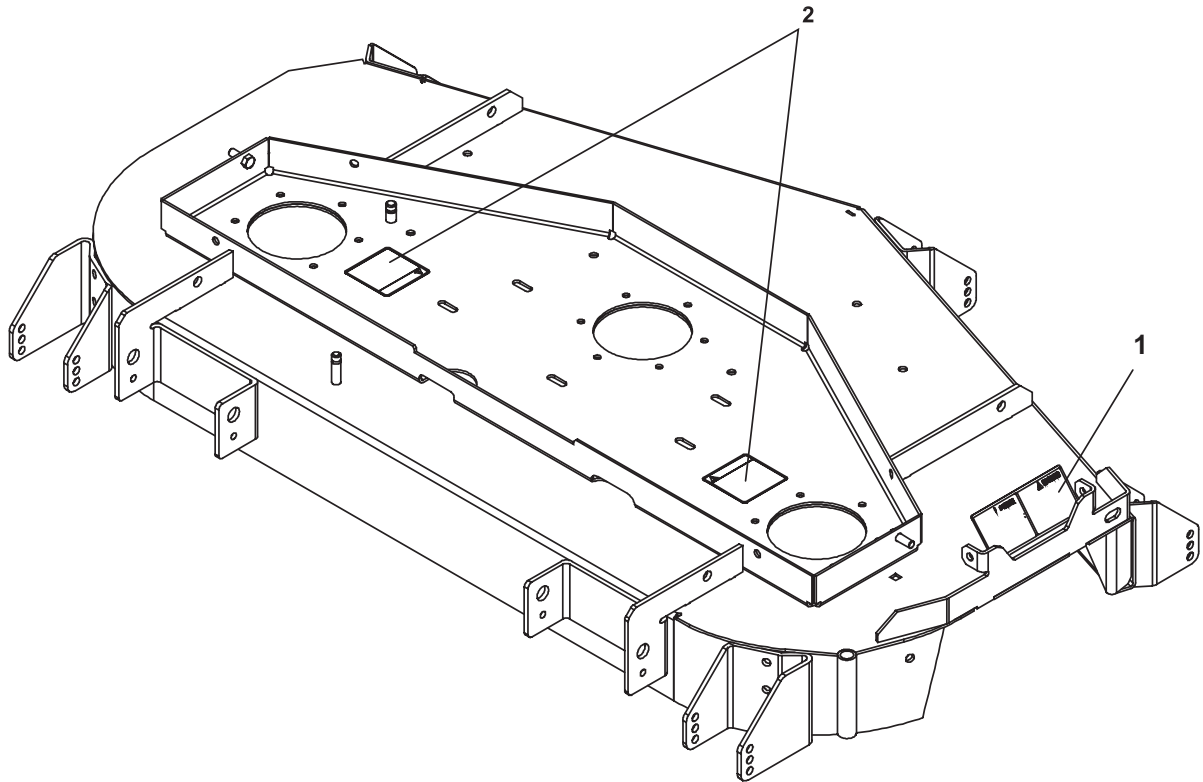
DECALS-POWER UNIT

FIGURE 21

ITEM	PART NO.	DESCRIPTION	QTY	ITEM	PART NO.	DESCRIPTION	QTY
1	4165866	LABEL-PREDATOR-PRO	1				
2	4158401	LABEL-BOB-CAT, 10.5"	1				
3	2000735	LABEL-OPER MAN	1				
4	2000590	LABEL, WARN BATTERY	1				
5	4165722	LABEL - HYDR OIL FILL	1				
6	4165639	LABEL-CONTROL PANEL (USED ON NON-DFI MODELS)	1				
	4168693	LABEL-CONTROL PANEL (USED ON DFI MODEL ONLY)					
7	2000693	LABEL - PARK BRAKE	1				
8	2000698	LABEL(DBL) - FUEL/LEAKS	2				
9	4169964	LABEL-ZT INFORMATION	1				
10	4165615	LABEL - RH TRACTION	1				
11	4165616	LABEL - LH TRACTION	1				
12	4165654	LABEL-HT CUT OUTER	1				
13	4165655	LABEL-HT CUT INNER	1				
14	4165610	LABEL-WARNING	1				
15	4147617	LABEL-FUEL	1				
16	4165657	LABEL-BOB-CAT	1				
17	4162917	LABEL-DECK SIZE, 72"	1				
	4162916	LABEL-DECK SIZE, 61"					
18	4116761	LABEL-MADE IN USA	1				
19	4165730	LABEL-MANUAL LOCATION	1				
20	4164413	LABEL-DFI (USED ON DFI ONLY)	1				
21*	4166466	LABEL-ISO RIDE	1				

*NOT ILLUSTRATED

FIGURE 22



**PREDATOR-PRO
SERIES**

DECALS-CUTTERDECKS

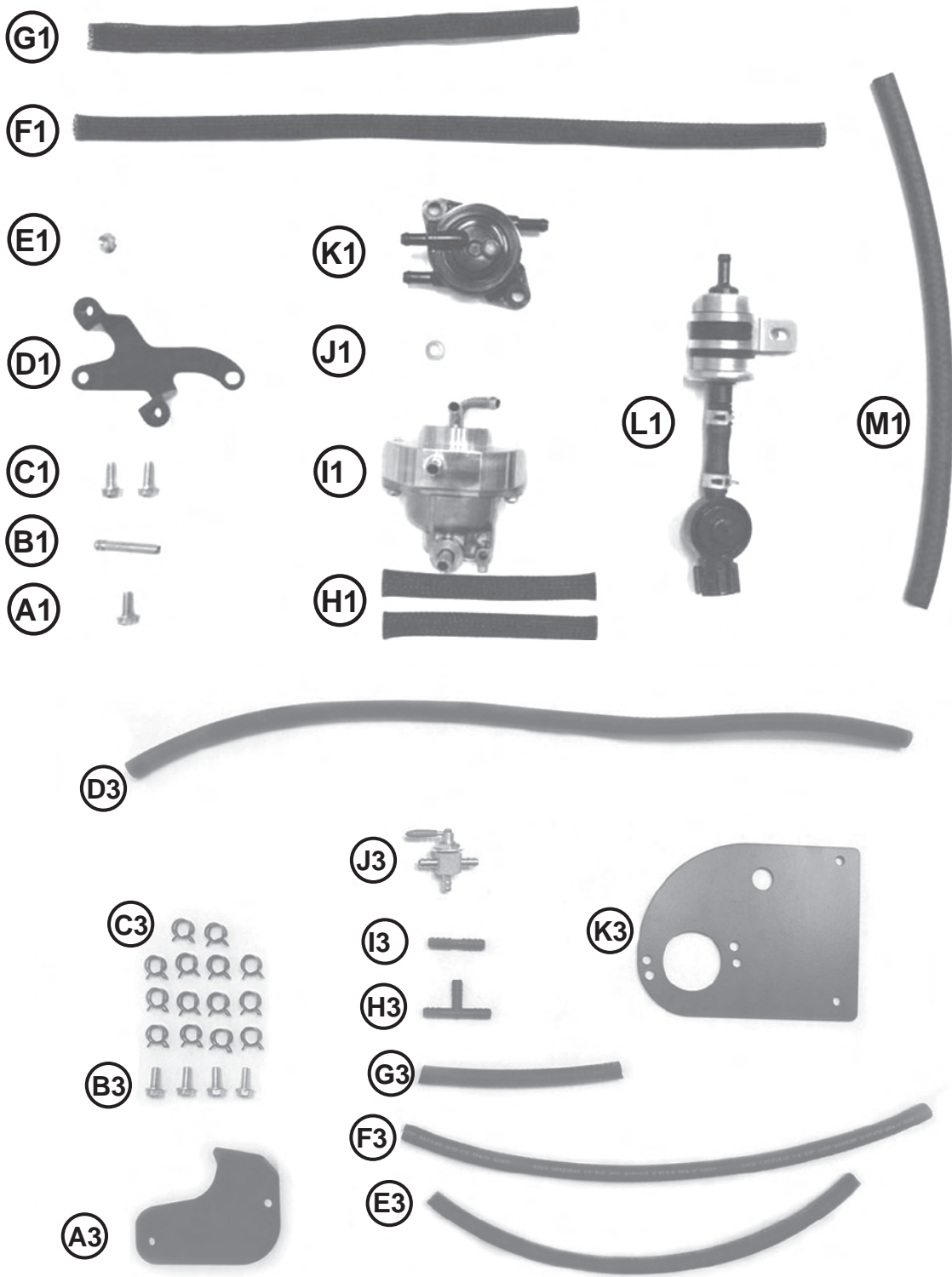
FIGURE 22

ITEM	PART NO.	DESCRIPTION	QTY	ITEM	PART NO.	DESCRIPTION	QTY
1	4164269	LABEL-WARNING BLADES	1				
2	2000577	LABEL-WARNING	2				

KAW DFI DUAL FUEL PUMP PARTS

PREDATOR-PRO
SERIES

FIGURE 23



**PREDATOR-PRO
SERIES**

KAW DFI DUAL FUEL PUMP PARTS

FIGURE 23

ITEM	KAW P/N	DESCRIPTION	QTY
A1	130AA0614	BOLT-FLANGED ELECTRIC PUMP	1
B1	32154-7020	PIPE-PULSE	1
C1	130AA0616	BOLT-FLANGED RESERVOIR	2
D1	23062-7020	BRACKET-COMP FUEL PUMP	1
E1	311AA0600	NUT-HEX ELECTRIC PUMP	1
F1	42036-0723	SLEEVE-450MM VENT TUBE	1
G1	42036-7022	SLEEVE-300 SUPPLY TUBE	1
H1	42036-7012	SLEEVE-125MM INTAKE & RETURN TUBE	2
J1	461DA0600	WASJER-SPRING, ELECTRIC PUMP	1
K1	49040-7009	FUEL PUMP	1
L1	49040-7010	FUEL PUMP-ELECTRIC PUMP	1
M1	92192-1146	TUBE-324MM PULSE	1
A3	11056-1917	BRACKET-FUEL PUMP	1
B3	130AA0616	BOLT-FLANGED PUMP & GUARD	4
C3	92170-2009	CLAMP	14
D3	92192-7186	TUBE-580MM VENT	1
E3	92192-7182	TUBE-330MM SUPPLY	1
F3	92192-7188	TUBE-390MM RETURN	1
G3	92192-7169	TUBE-140MM RETURN	1
H3	59071-0722	JOINT-1/4" X 1/4" T	1
I3	59071-0725	JOINT-1/4" X 1/4" RETURN TUBE	1
J3	51023-0705	TAP-ASSY, FUEL VALVE	1
K3	11056-1919	BRACKET-RESERVOIR	1

SCHILLER GROUNDS CARE, INC.
ONE BOB-CAT LANE
P.O. BOX 469
JOHNSON CREEK, WI 53038
920-699-2000
www.schillergc.com



©Schiller Grounds Care, Inc. 2010