



MODELS:
75-72151A
440 CAB KIT



MAN 4172181
Rev. A 02-2015



www.steinerturf.com

PARTS MANUAL

**CALIFORNIA
Proposition 65 Warning**

Diesel engine exhaust and some of its constituents are known to the State of California to cause cancer, birth defects and other reproductive harm.

 **WARNING**

The engine exhaust from this product contains chemicals known to the State of California to cause cancer, birth defects or other reproductive harm.

**Californie Proposition 65
Avertissement**

Les échappements des moteurs diesel et certains de leurs composés sont reconnus par l'Etat de Californie pour être cancérigènes, provoquer des défauts congénitaux et d'autres dangers en matière de reproduction.

 **AVERTISSEMENT**

L'émission du moteur de ce matériel contient des produits chimiques que l'Etat de Californie considère être cancérigènes, provoquer des défauts congénitaux et d'autres dangers en matière de reproduction.

**California Advertencia
de la Proposicion 65**

El estado de California hace saber que los gases de escape de los motores diesel y algunos de sus componentes producen cáncer, defectos de nacimiento y otros daños en el proceso de reproducción humana.

 **ADVERTENCIA**

El estado de California hace saber que los gases de escape de este producto contienen productos químicos que producen cáncer, defectos de nacimiento y otros daños en el proceso de reproducción humana.

**CALIFORNIA
Proposition 65 Warning**

Battery posts, terminals, wiring insulation, and related accessories contain lead and lead compounds, chemicals known to the State of California to cause cancer and birth defects or other reproductive harm.
WASH HANDS AFTER HANDLING.



IMPORTANT MESSAGE

Thank you for purchasing this Schiller Grounds Care, Inc. product. You have purchased a world class product, one of the best designed and built anywhere.

This machine comes with an Owner / Operator's Manual and an Illustrated Parts Manual. The useful life and good service you receive from this machine depends to a large extent on how well you read and understand these manuals. Treat your machine properly, lubricate and adjust it as instructed, and it will give you many years of reliable service.

Your safe use of this Schiller Grounds Care, Inc. product is one of our prime design objectives. Many safety features are built in, but we also rely on your good sense and care to achieve accident-free operation. For best protection, study the manuals thoroughly. Learn the proper operation of all controls. Observe all safety precautions. Follow all instructions and warnings completely. Do not remove or defeat any safety features. Make sure those who operate this machine are as well informed and careful in its use as you are.

See a Schiller Grounds Care, Inc. dealer for any service or parts needed. Schiller Grounds Care, Inc. service ensures that you continue to receive the best results possible from Schiller Grounds Care, Inc. products. You can trust Schiller Grounds Care, Inc. replacement parts because they are manufactured with the same high precision and quality as the original parts.

Schiller Grounds Care, Inc. designs and builds its equipment to serve many years in a safe and productive manner. For longest life, use this machine only as directed in the manuals, keep it in good repair and follow safety warnings and instructions. You'll always be glad you did.

Schiller Grounds Care, Inc.
One Bob Cat Lane
Johnson Creek, WI 53038-0469

TABLE OF CONTENTS	FIGURES	PAGE
SAFETY.....		2
PARTS SECTION.....		3
MOUNTING KIT ASSEMBLY.....	FIGURE 1	4, 5
KIT HARDWARE	FIGURE 2	6, 7
FRONT VIEW ASSEMBLY	FIGURE 3.....	8, 9
REAR VIEW ASSEMBLY	FIGURE 4.....	10, 11
HEADLINER ASSEMBLY	FIGURE 5.....	12, 13
WIRE HARNESS.....	FIGURE 6.....	14, 15
RIGHT SIDE ASSEMBLY	FIGURE 7	16, 17
LEFT SIDE ASSEMBLY.....	FIGURE 8	18, 19

NOTICE !!!

Unauthorized modifications may present **extreme** safety hazards to operators and bystanders and could also result in product damage.

Schiller Grounds Care, Inc. strongly warns against, rejects and disclaims any modifications, add-on accessories or product alterations that are not designed, developed, tested and approved by Schiller Grounds Care, Inc.'s Engineering Department. Any Schiller Grounds Care, Inc. product that is altered, modified or changed in any manner not specifically authorized after original manufacture—including the addition of “after-market” accessories or component parts not specifically approved by Schiller Grounds Care, Inc.—will result in the Schiller Grounds Care, Inc. Warranty being voided.

Any and all liability for personal injury and/or property damage caused by any unauthorized modifications, add-on accessories or products not approved by Schiller Grounds Care, Inc. will be considered the responsibility of the individual(s) or company designing and/or making such changes. Schiller Grounds Care, Inc. will vigorously pursue full indemnification and costs from any party responsible for such unauthorized post-manufacture modifications and/or accessories should personal injury and/or property damage result.



This symbol means:
ATTENTION!
BECOME ALERT!

Your safety and the safety of others is involved.

Signal word definitions:

The signal words below are used to identify levels of hazard seriousness. These words appear in this manual and on the safety labels attached to Schiller Grounds Care, Inc. machines. For your safety and the safety of others, read and follow the information given with these signal words and/or the symbol shown above.

⚠ DANGER

DANGER indicates an imminently hazardous situation which, if not avoided, **WILL** result in death or serious injury.

⚠ WARNING

WARNING indicates a potentially hazardous situation which, if not avoided, **COULD** result in death or serious injury.

⚠ CAUTION

CAUTION indicates a potentially hazardous situation which, if not avoided, **MAY** result in minor or moderate injury. It may also be used to alert against unsafe practices or property damage.

CAUTION

CAUTION used without the safety alert symbol indicates a potentially hazardous situation which, if not avoided, **MAY** result in property damage.

MODEL NUMBER: This number appears on sales literature, technical manuals and price lists.

SERIAL NUMBER: This number appears only on your unit. It contains the model number followed consecutively by the serial number. Use this number when ordering parts or seeking warranty information.

Read these instructions and identify all components. Please retain these instructions for future reference and parts ordering information.

NOTE: If the machine has the electric weight transfer, you will need to purchase part number 4168587 Multi-Connector wire harness to provide additional plug outlets for the cab. Sold separately from your Steiner dealer.

MACHINE PREPARATION

1. Remove all attachments if present.
2. Disconnect power from the battery.
3. Remove the four bolts **A** securing foot plate on tractor. **Figure 1**
4. Lift the foot plate up a few inches and remove one nut **B** and lock washer **C** from the foot pedal. **Figure 2**
5. Completely remove the foot plate from the machine.

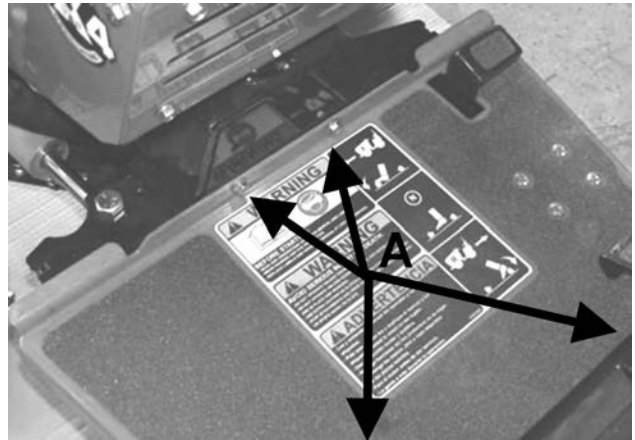


FIGURE 1

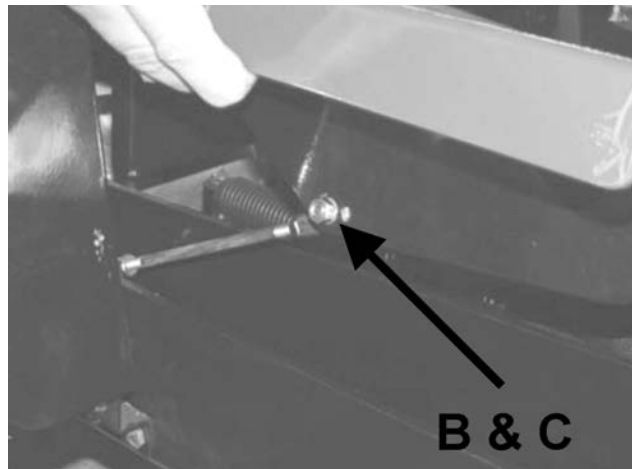


FIGURE 2

FRONT MOUNT INSTALLATION:

6. If there are no holes located in the side of the frame from the factory, drill two .531 holes on each side per **Figure 3** using the Front Mount Template (**Item 8**) to locate. Place the template even with the front edge of the frame and drill holes.

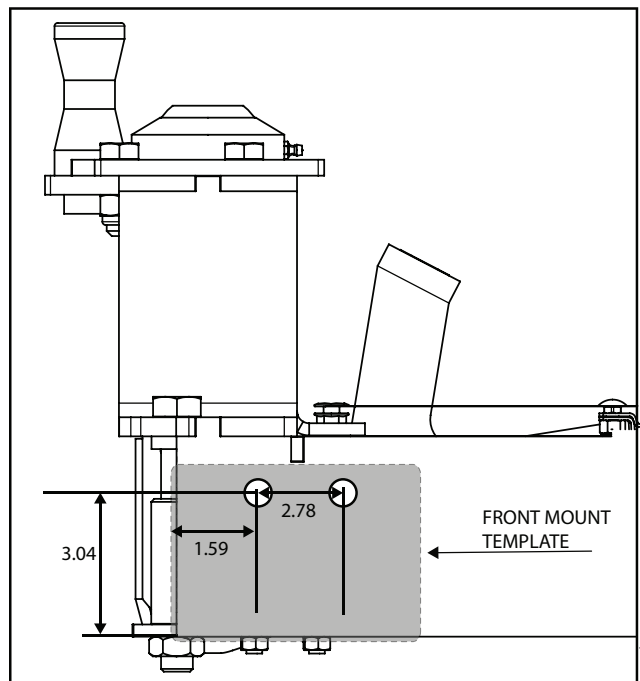


FIGURE 3

7. Secure the two front mount brackets (**Item 1**) to the bottom of the machine using hardware. Torque to 70 ft-lb (95n-m). **Figure 4**

- (2) 1/2" X 1.50" long bolts (**Item 16**)
- (2) 1/2" nylon nuts (**Item 17**)
- (3) 1/2" large OD flat washers (**Item 14**)
two on right side one on outside left side
- (1) 1/2" small OD flat washer (**Item 15**)
one on inside left side.

8. Secure the brackets to the side of the machine using hardware. Torque to 70 ft-lb (95n-m). **Figure 4**

- (4) 1/2" x 1.25 long bolts (**Item 27**)
- (4) 1/2" nylon nuts (**Item 17**)
- (4) 1/2" small OD flat washers (**Item 15**)

9. Reattach the foot pedal with hardware removed in Step 4.

10. Reattach the foot plate using hardware removed in Step 3.

CONSOLE FILLER PANEL INSTALLATION:

11. Secure the LH Cover (**Item 3**) and RH Cover (**Item 4**) to the front console of the machine (**Figure 5 & 6**) using hardware:

- (6) 3/8" x .75" long bolts (**Item 20**)
- (6) 3/8" flanged nuts (**Item 21**)

Torque to 30 ft-lb (41 N-m)

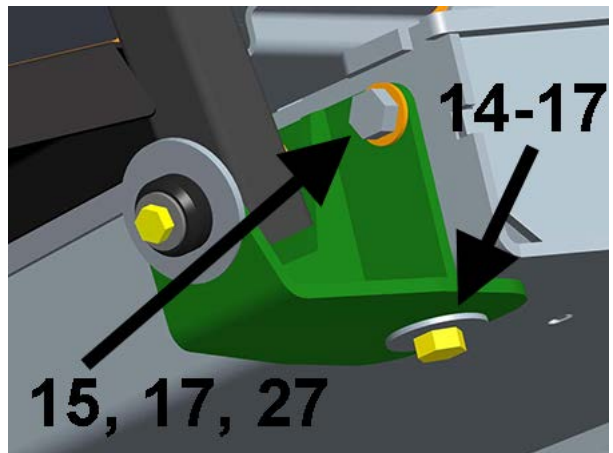


FIGURE 4

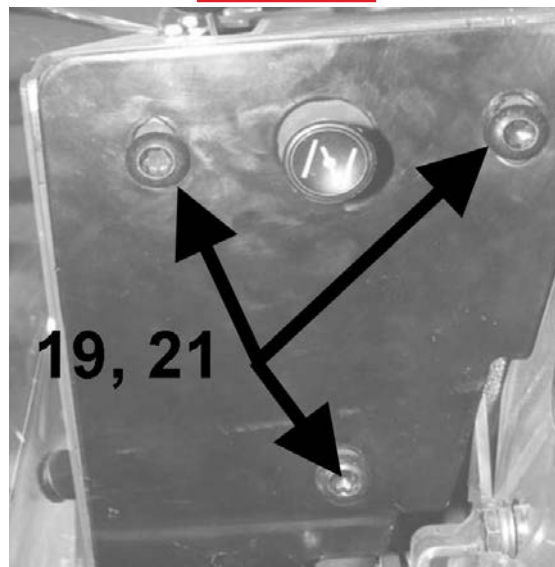


FIGURE 5

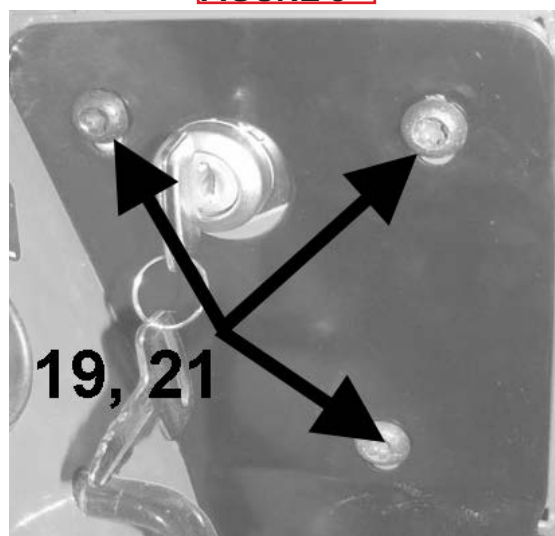


FIGURE 6

REAR MOUNT INSTALLATION:

12. Loosely secure the Rear Mounting Bracket (**Item 2**) to the machine as shown in **Figure 7 & 8** using hardware:

- (2) 1/2" U-bolts (**Item 28**)
- (4) 1/2" serrated flange nuts (**Item 29**)

DO NOT TIGHTEN AT THIS TIME!

INSTALLING THE CAB:

13. Flip the seat forward on the machine and lower the ROPS upper hoop.

Using a spreader bar or lifting strap and overhead crane or forklift, carefully raise the cab and remove the crating and pallet. Locate the lifting strap at the location of the roof brackets on the upper sides.

14. Lower the cab onto the tractor and align the front mount holes of the cab tubes with the holes on the front mount brackets installed in step 7. The rear mount may need to be tilted forward as you lower the cab to allow it to pass to the inside of the rear cab wall. **Figure 9**

15. Secure the front of the cab to the front mounts installed in Step 4 using hardware:
Figure 10

- (2) rubber isolators (**Item 10**)
- (2) 3/4" flat washers (**Item 18**)
- (2) 3/8" x 3.50" bolts (**Item 19**)
- (2) 3/8" nylock nuts (**Item 13**)
- (4) 3/8" flat washers (**Item 11**)

Torque to 30 ft-lb (41 N-m)

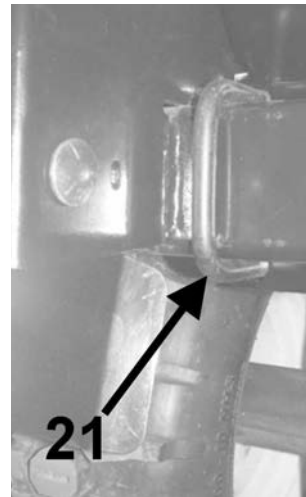


FIGURE 7

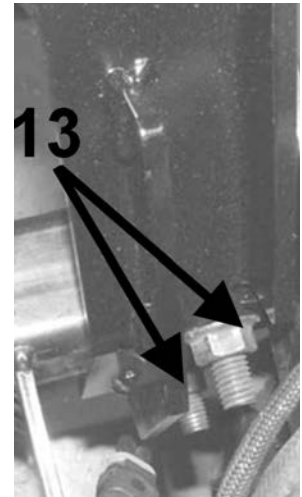


FIGURE 8

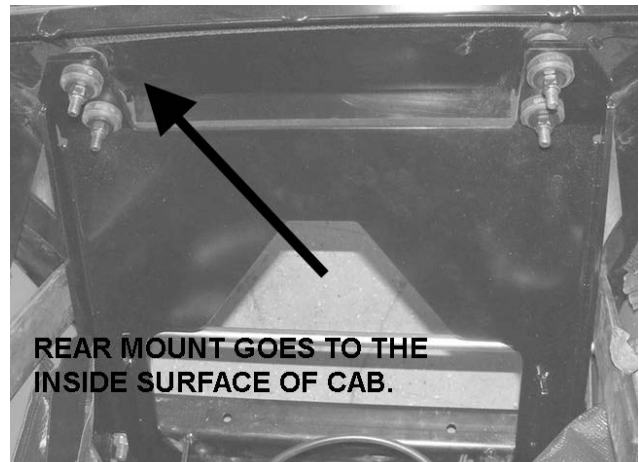


FIGURE 9

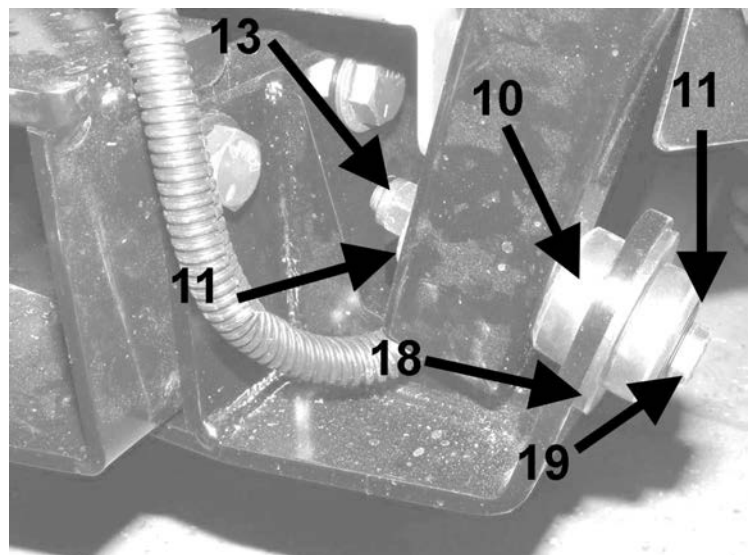


FIGURE 10

16. Install the rubber isolators (**Item 10**) onto the rear mount bracket. Secure the rear mounting bracket to the back of the cab using hardware:

Figure 11

- (4) 3/8" X 2.50" long bolt (**Item 12**)
- (4) 3/8" nylock nuts (**Item 13**)
- (4) 3/8" flat washers (**Item 11**)

Torque to 30 ft-lb (41 N-m)

17. Tighten the nuts on the U-bolts for the rear mount installed in Step 13.

18. Remove the existing front cover panel located under the steering wheel from the machine. Retain the hardware. **Figure 12**

19. Install the new front cover panel (**Item 5**) using the bolts removed in previous step. **Figure 12**

20. Remove existing rear cover panel from machine. Attach new rear panel (**Item 6**) using:

Figure 13

- (4) 5/16" x 1.00 long bolts (**Item 25**)
- (4) 5/16" flanged nuts (**Item 26**)

21. Attach the two "P" clamps on the bungee cord to the machine at the foot panel using hardware:

Figure 14

- (2) 1/4" x .75" long bolts (**Item 31**)
- (2) 1/4" flanged nuts (**Item 23**)

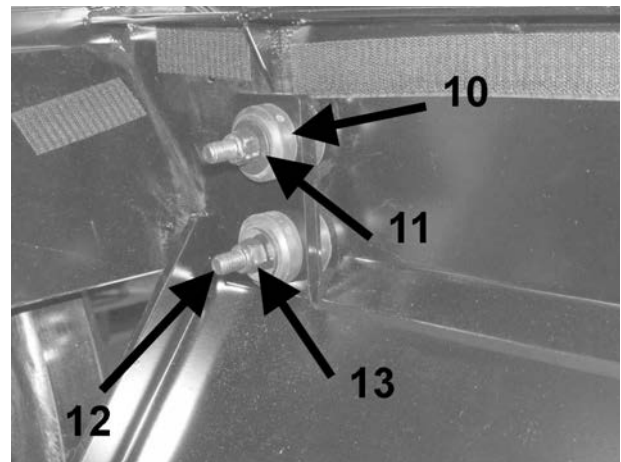


FIGURE 11

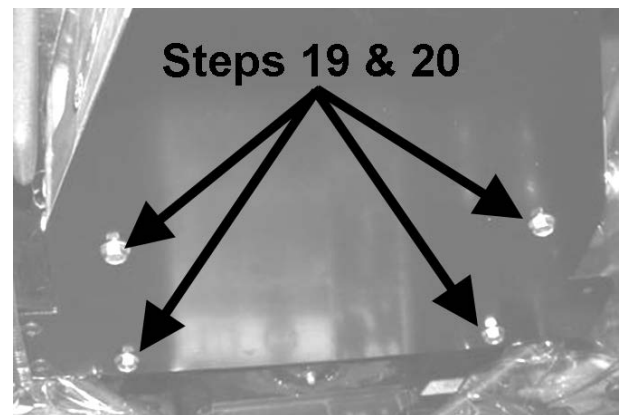


FIGURE 12

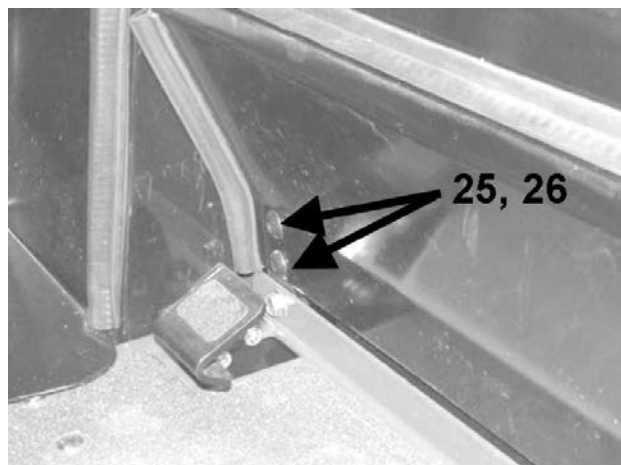


FIGURE 13

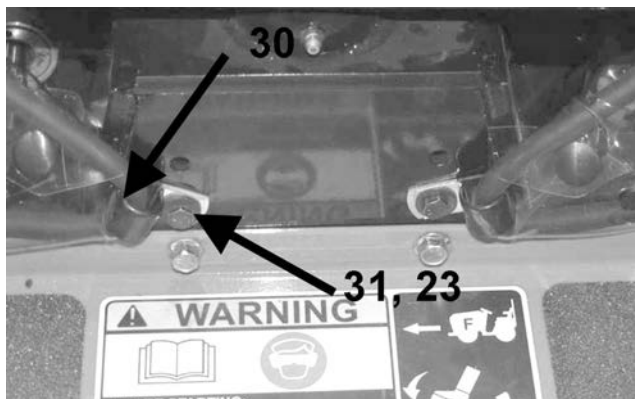


FIGURE 14

22. Attach (2) "P" clamps (**Item 30**) to retain the bungee cord to the side of the hood using hardware:

Figure 15 & 16

(2) 1/4" x .50" long bolts (**Item 22**)

(2) 1/4" flanged nuts (**Item 23**)

The left side can use the existing hardware if desired.

23. Drill a 5/16" hole at the location shown in **Figures 17 & 18**. Install the bungee cord guide (**Item 9**) onto the hood cowl using hardware:

(1) 1/4" x 2.50 bolt (**Item 31**)

(1) 1/4" flanged nut (**Item 23**)

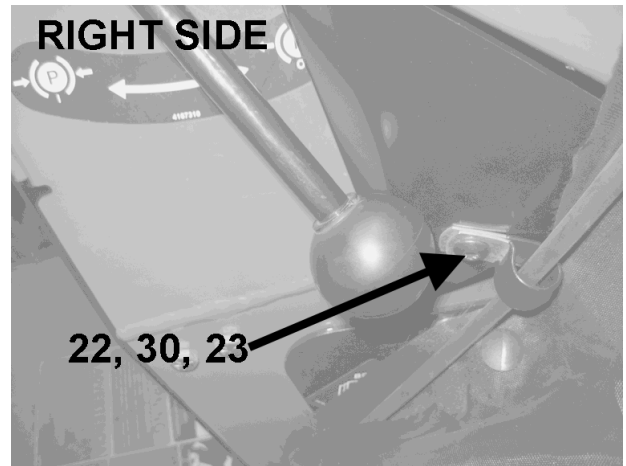


FIGURE 15

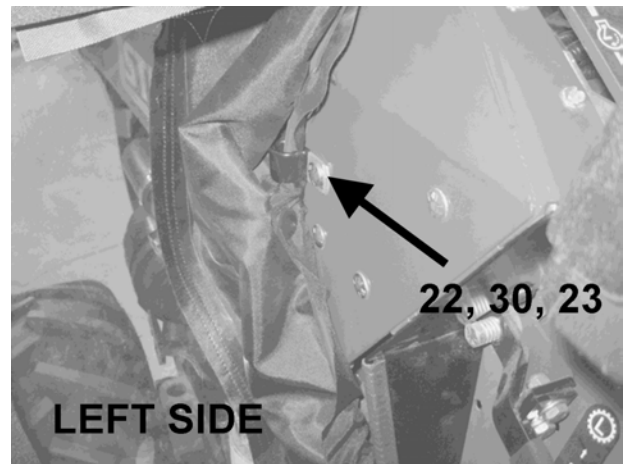


FIGURE 16

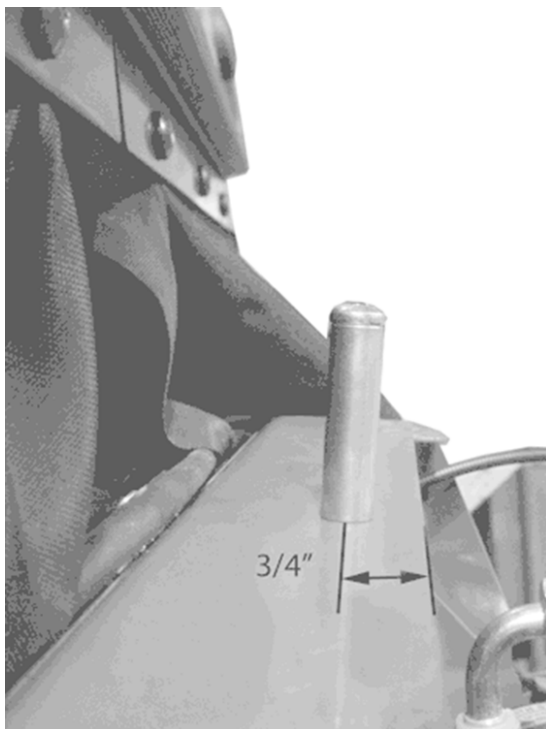


FIGURE 17

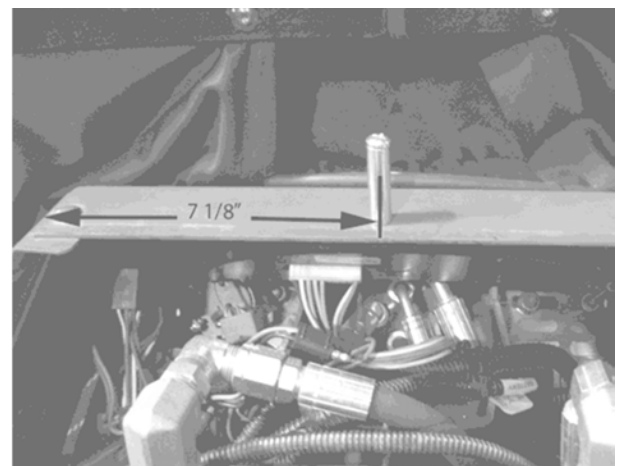


FIGURE 18

24. Attach the LH cover panel to the front cover panel using hardware:

Figure 19

(2) 1/4" x .50 long bolts (**Item 22**)

(2) 1/4" flanged nuts (**Item 23**)

ELECTRIC HOOK-UP:

25. Locate main relay breaker wire harness secured to front cab tube.

26. Open the hood of the machine.

27. Route the entire harness up to the key ignition area. **Figure 20**

28. Attach the two pole flat connector on the wire harness to the Accessory harness Connector from the machine. **Figure 20**

NOTE: If the flat plug is being used for the electric weight transfer, use part number 4168587 Multi-Connector wire harness to provide additional plug outlets for the cab. Sold separately from your Steiner dealer.

29. Attach the other end of the harness with the ring terminal labeled "BATTERY +12VDC" to the main circuit breaker of the machine. **Figure 21**

30. Reconnect power to the battery.

31. Close the hood of the machine and turn ignition key on and start machine.

32. Check operation of front wiper: HI, LO, and OFF. When the switch on the wiper motor is turned off, wiper will run for a short period of time and then stop or park itself. Wiper should turn off when machine key is turned off.

33. If switch panel has no power, check the breaker **Figure 20** located on the red wire of the main relay and breaker harness. Reset breaker if needed.

34. Check operation of the dome light. ON/OFF. Dome light should go off when machine key is turned off.

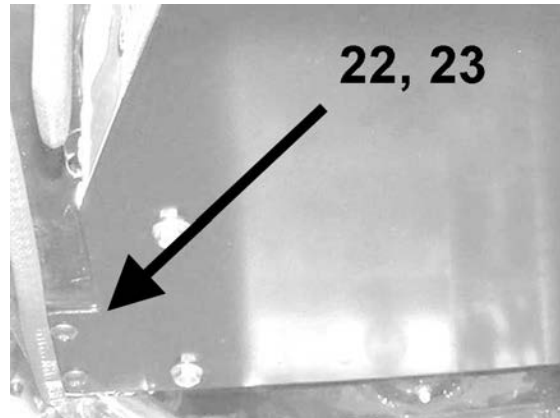


FIGURE 19

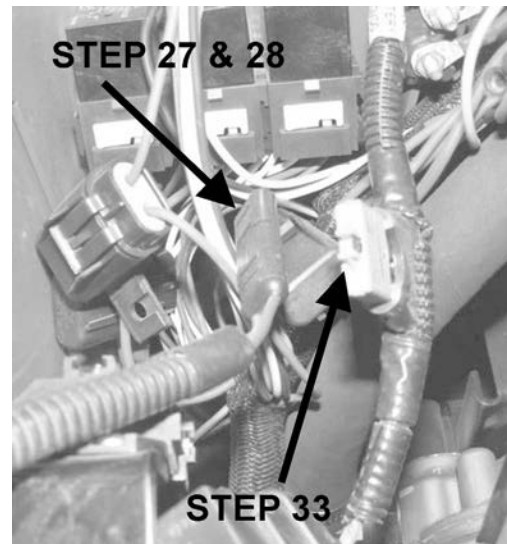


FIGURE 20

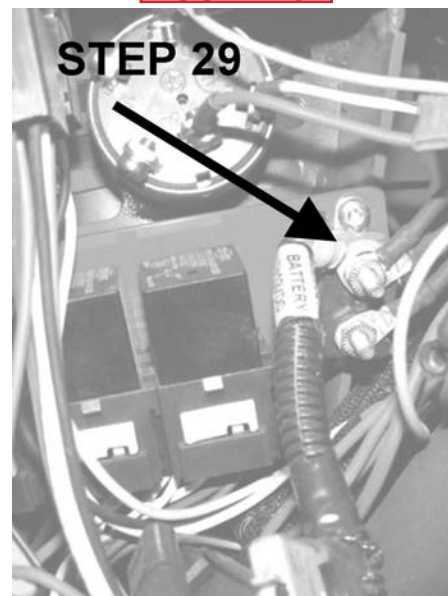


FIGURE 21

CAB

35. Coil excess wire harness and secure using nylon ties. Make sure to leave enough room for complete front travel of machine. Avoid any HOT or MOVING parts. **DO NOT SECURE WIRE HARNESS TO HIGH PRESSURE FUEL LINES!**

36. Tip seat up and install under seat seal assembly textured side up. The seat fits over the seat release lever and around the seat belt sleeves.
Figure 22

37. Lower the seat to normal position to help position the Velcro into place for the battery box and fuel tank before removing the liner and applying adhesive.

38. Peel off the liner on the PSA Velcro strips and attach to the rear wall of the cab and to the fenders. Apply pressure to the Velcro to get good adhesion.
Figure 23 & 24



FIGURE 22

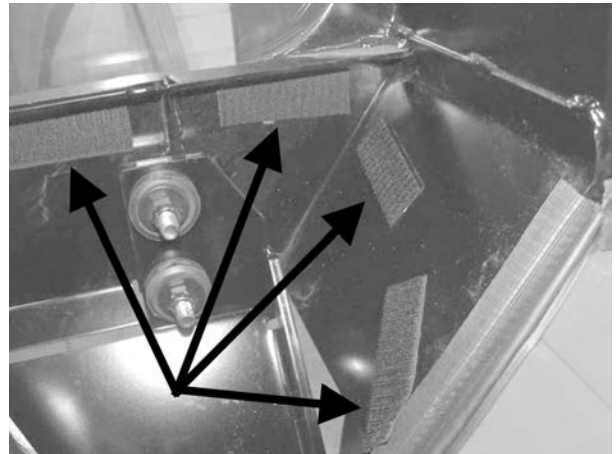


FIGURE 23

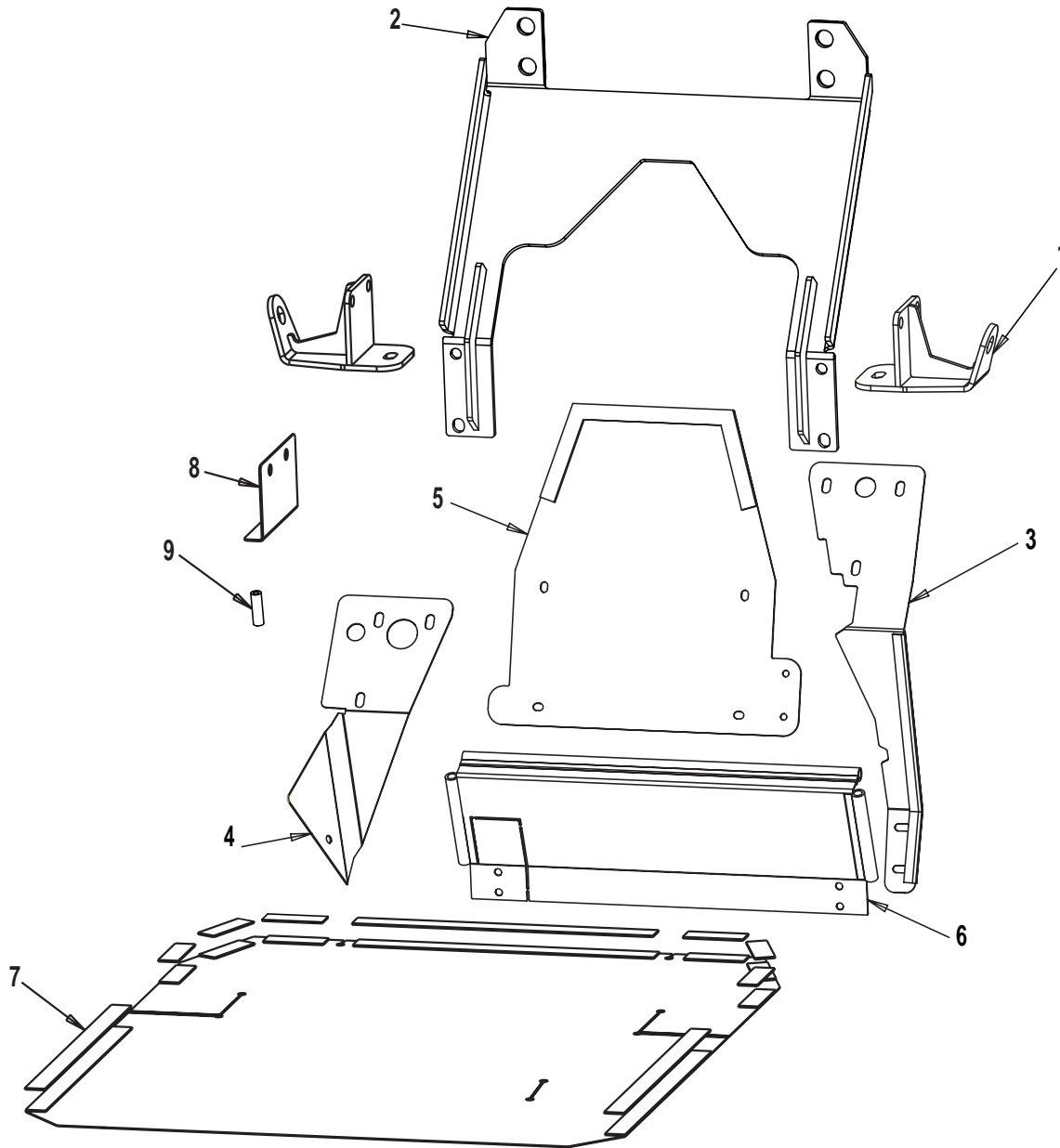


FIGURE 24

MOUNTING ASSEMBLY

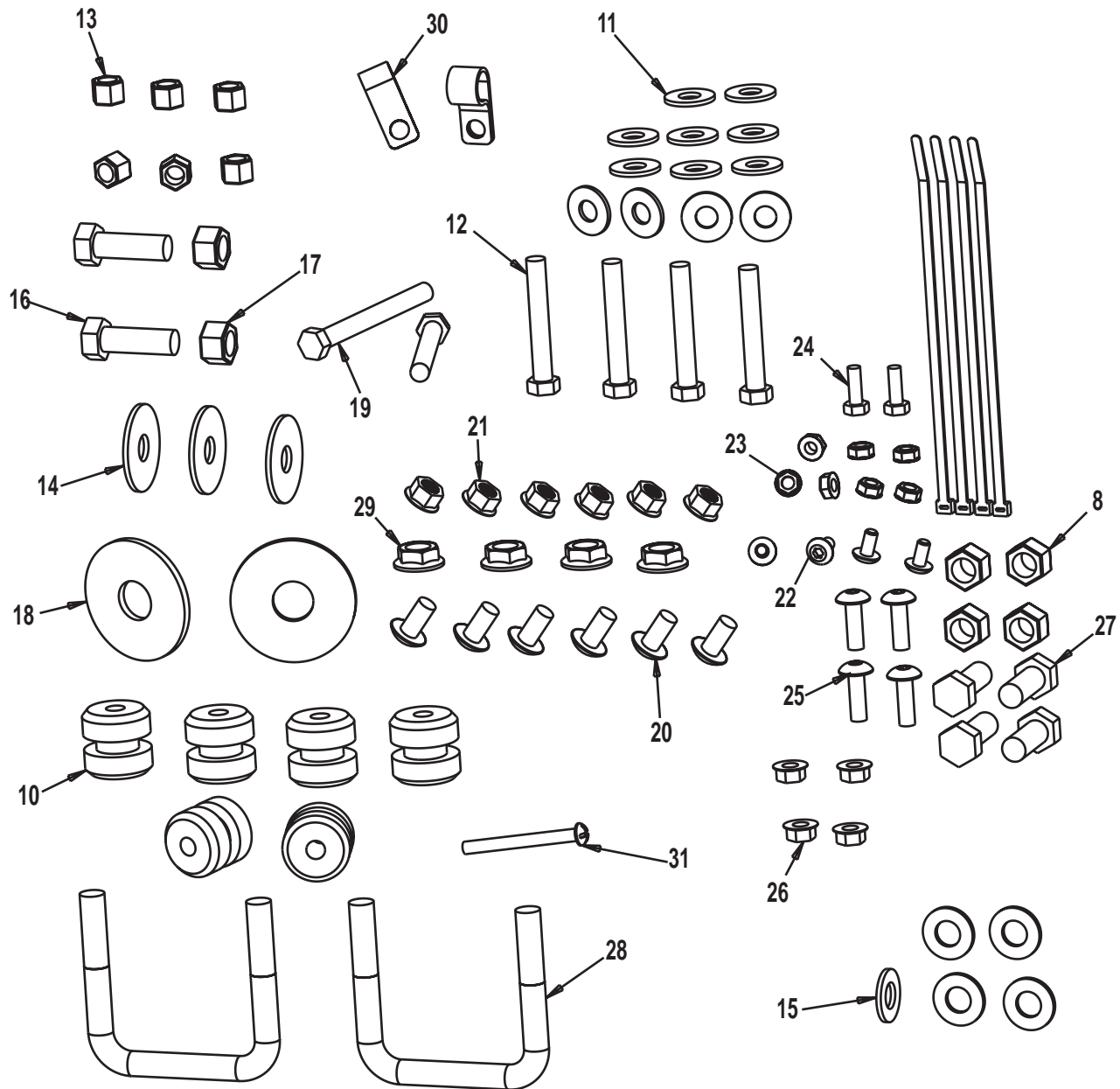
CAB

FIGURE 1



ITEM	PART NO.	DESCRIPTION	QTY	ITEM	PART NO.	DESCRIPTION	QTY
1	4171878-7	S-WLDMNT, FRONT MOUNT	2				
2	4171878-6	S-WLDMNT, REAR MOUNT	1				
3	4171015-78	S-COVER PANEL LEFT HAND	1				
4	4171015-10	S-COVER PANEL RIGHT HAND	1				
5	4171015-76	S-LOWER FRONT COVER	1				
6	4171015-73	REAR, COVER	1				
7	4171015-93	S-FILLER, UNDER SEAT	1				
8	4171878-4	S-TEMPLATE, FRONT MOUNTS	1				
9	4171878-5	S-SPACER-CORD GUIDE	1				

FIGURE 2

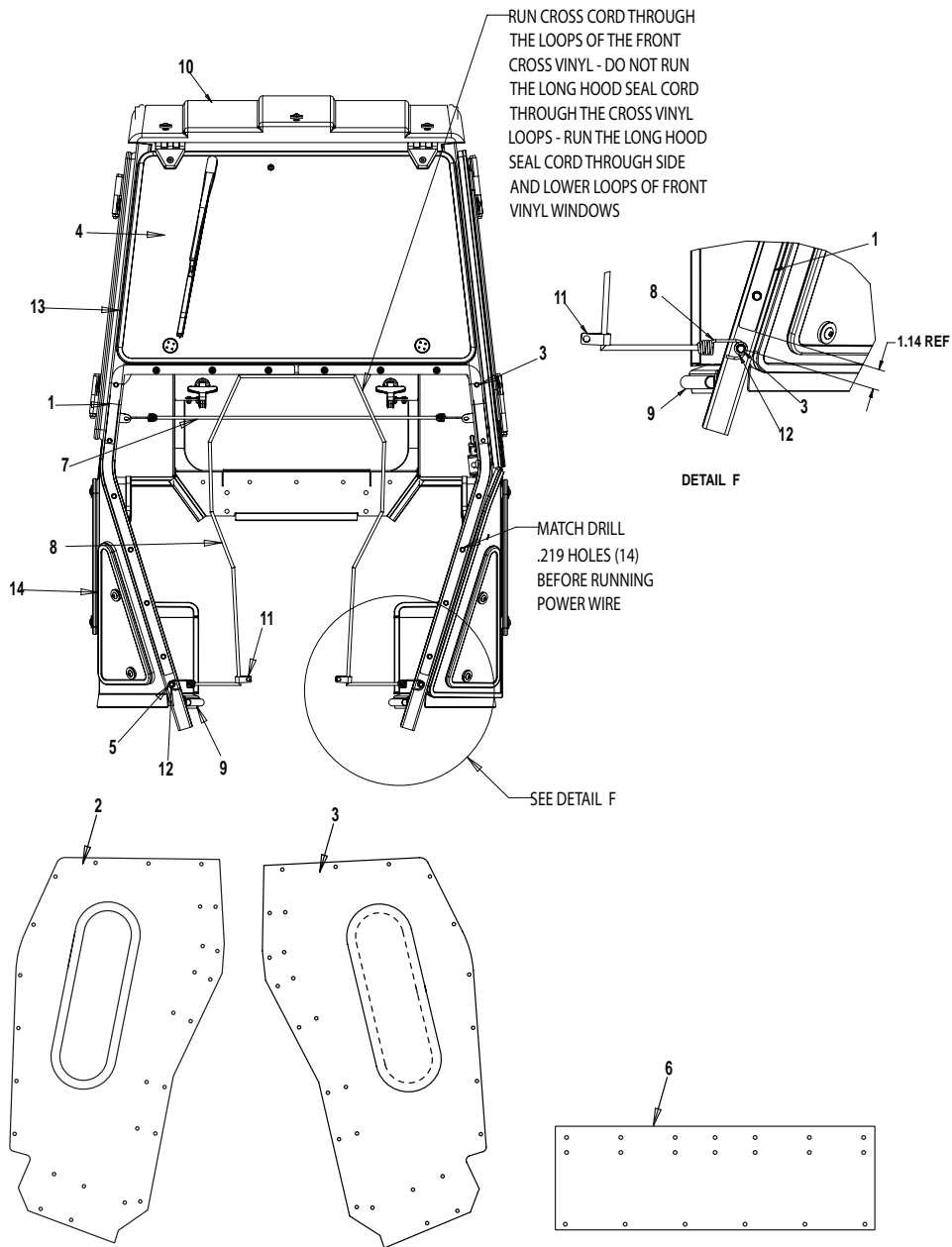


ITEM	PART NO.	DESCRIPTION	QTY	ITEM	PART NO.	DESCRIPTION	QTY
10	4171015-94	S-MOUNT, RUBBER	6	21	4171015-101	S-NUT, SER FLG .375-16	6
11	4171015-95	S-WSHR.375	12	22	4171878-24	S-SCRW, TORX, TRUSS .25X.5	4
12	4171015-96	S-BLT, HHCS .375 X 2.5	4	23	4171878-21	S-NUT, FL HEX .25	7
13	4171015-97	S-NUT, NYLOCK .375	6	24	4171015-102	S-BLT, HHCS .75	2
14	4171878-23	S-WASHER	3	25	4171015-48	S-SCRW, TORX, TRUSS .313X1	4
15	4171878-20	S-WSHR, .50 TYPE AN	8	26	4171015-104	S-NUT, SER FLG .312	4
16	4171878-16	S-BLT, HHCS .5 X 1.5	2	27	4171878-19	S-BLT-HHCS, .50 X 1.25	4
17	4171878-18	S-NUT, NYLOCK .5	5	28	4171878-25	S-UBOLT, .5X3X3.5	2
18	4171015-98	S-WSHR, FLAT .75	2	29	4171878-22	S-NUT,HEX FL .50-13 NC	4
19	4171015-99	S-BLT, HHCS .375 X 3.5	2	30	4171878-8	S-CLIP, HOSE, CLAMPING	2
20	4171015-100	S-BLT, TRX .375 X .75	6	31	4171878-17	S-SCREW, PH .25X.25	1

FRONT VIEW ASSY

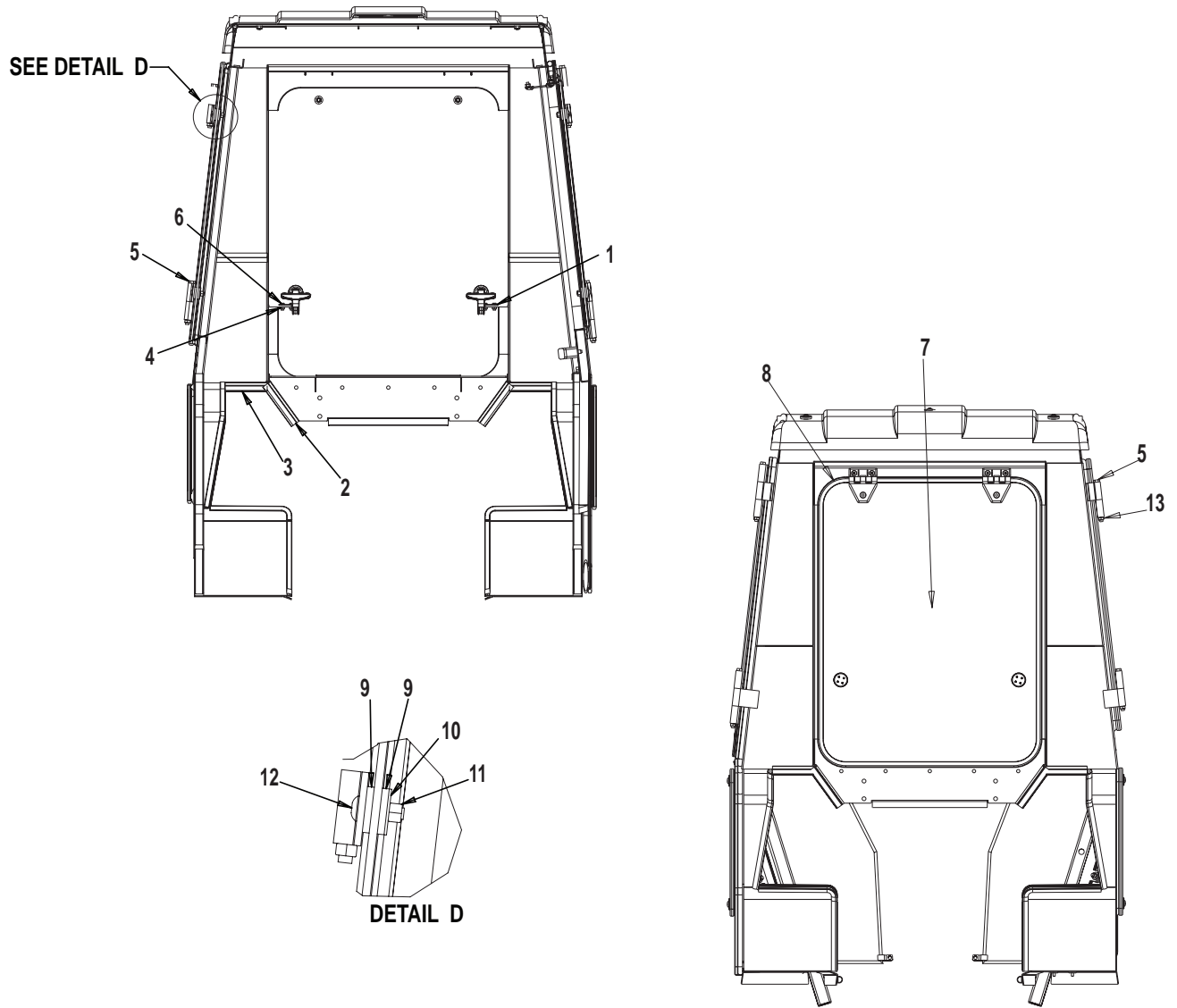
CAB

FIGURE 3



ITEM	PART NO.	DESCRIPTION	QTY	ITEM	PART NO.	DESCRIPTION	QTY
1	4171015-110	S-VINYL RETAINER	2	8	4171878-14	ASSY-BUNGEE CORD 96"	1
2	4171878-11	S-VINYL, LOWER FRONT LH	1	9	4171015-112	S-BASE	1
3	4171878-10	S-VINYL, LOWER FRONT RH	1	10	4171015-80	S-ASSY, ROOF	1
4	4171015-59	S-WINDOW, FRONT TEMPERED	1	11	4171878-8	S-CLAMP-CLIP, HOSE	2
5	4171015-111	S-SCREW, SELFTAP .25 X .75	14	12	64163-02	WSHR .321/.328X.593/.608X11GA 2	
6	4171878-12	S-VINYL, LWR FRONT CENTER	1	13	4171015-44	S-RUBBER WINDSHEILD 118"	1
7	4171878-15	ASSY-BUNGEE CORD 30"	1				

FIGURE 4

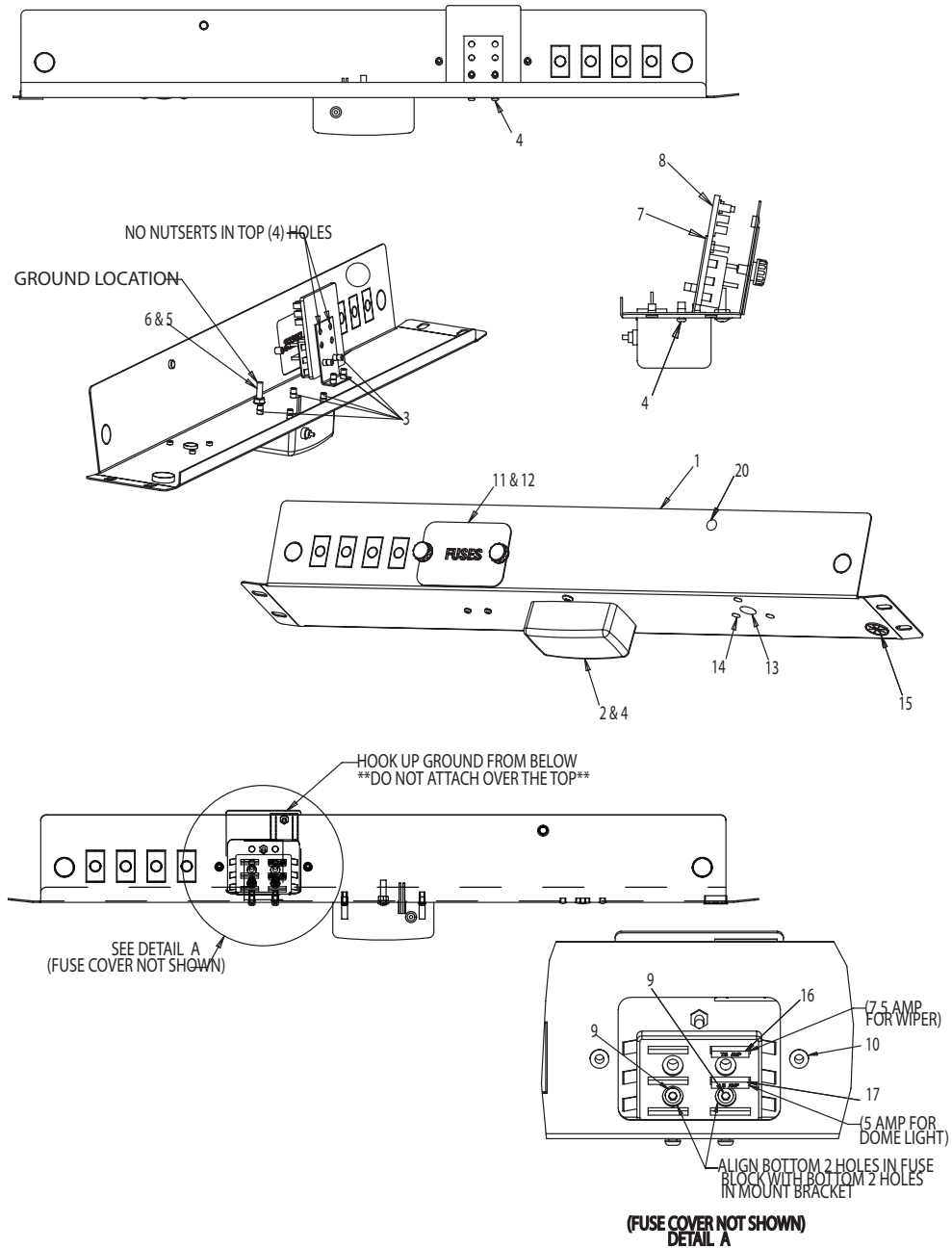


ITEM	PART NO.	DESCRIPTION	QTY	ITEM	PART NO.	DESCRIPTION	QTY
1	4171015-8	S-MOUNT, TEE HANDLE , RH	1	8	4171015-44	S-WINDOW TRIM SEAL, 11/16 11" 1	1
2	4171015-41	S-DOOR TRIM SEAL, 11/16 6"	2	9	4171015-28	S-WASHER, SHOULDER GLASS	4
3	4171015-34	S-TRIM SEAL, , 180 DEG 5"	2	10	4171015-35	S-WASHER,, .344 ID x 1.25	2
4	4171769-09	NUT-FLG HEX .25	4	11	64229-02	NUT-NYLON LOCK 5/16-18	4
5	4171015-113	HHCS-.375 X 4.50	2	12	4171670-07	BLT-TORX HD 5/16-18 X 1-1/4	2
6	4171015-91	BOLT-TOREX BH .25 X .625	2	13	4171015-88	NUT-CNTRLCK, HEX .38	2
7	4171015-60	S-GLASS, REAR, TEMPERED	1				

HEADLINER ASSY

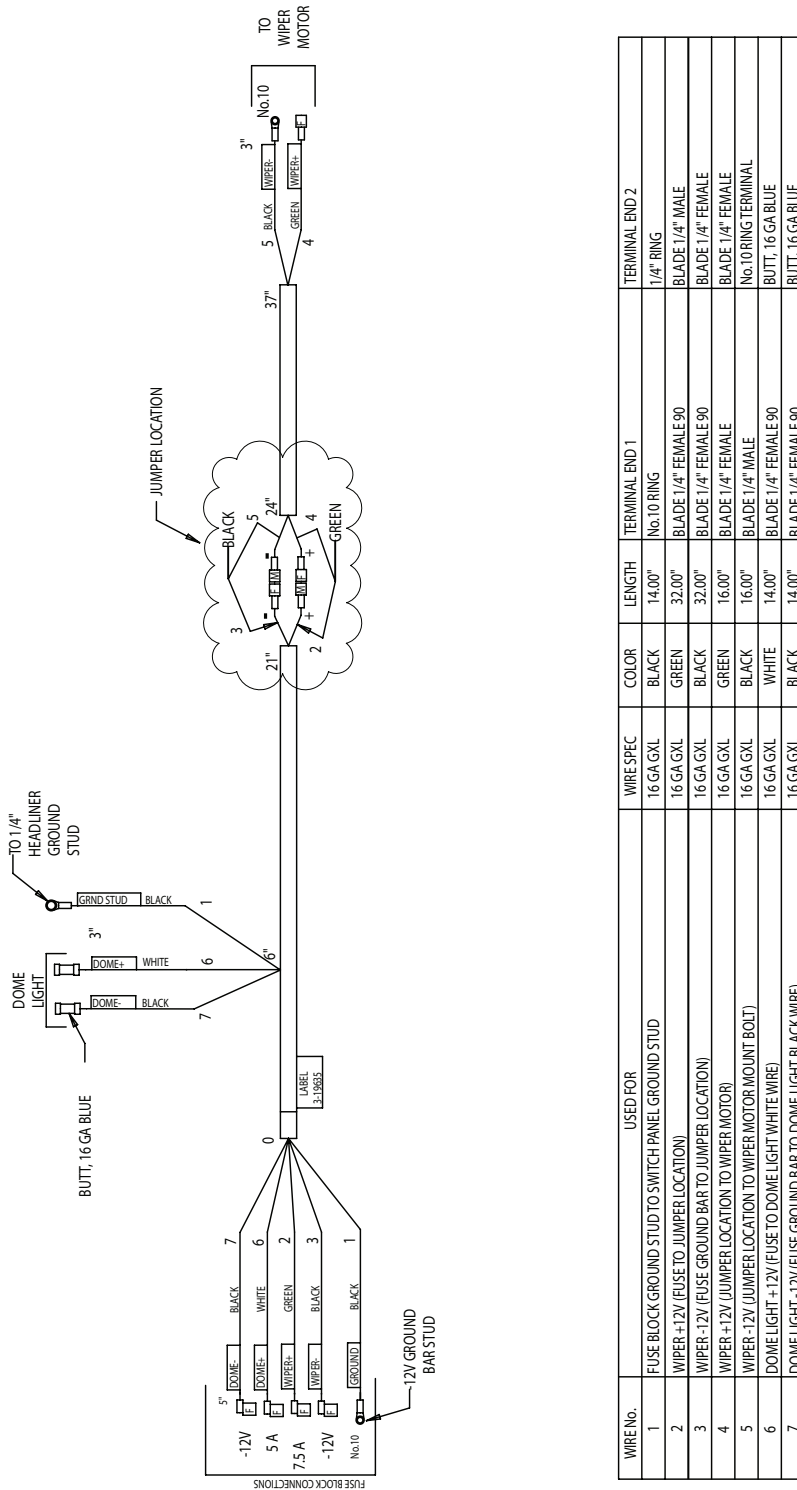
CAB

FIGURE 5



ITEM	PART NO.	DESCRIPTION	QTY	ITEM	PART NO.	DESCRIPTION	QTY
1	4171769-01	PANEL-HEADLINER, SHORT	1	11	4171015-1	COVER-FUSE	1
2	4171015-43	S-DOMELIGHT, 12 VDC	1	12	4171015-53	S-KNOB, BLACK, .875 DIA 10-24	2
3	4171769-06	NUT-SERT 8-32	8	13	4171769-11	PLUG-HOLE .63	1
4	4171769-07	SCRW-MACH BH SOC 8-32 X .50	6	14	4171769-12	PLUG-HOLE .25	3
5	4171769-08	SCRW-MACH .25 X 1 PH PHIL	1	15	4171769-13	GROMMET-SNAP UNIVERSAL	1
6	4171769-09	NUT-FL HEX .25	1	16	4171769-14	FUSE-7.5 AMP	1
7	4171769-02	MOUNT-FUSE BLOCK	1	17	4171769-15	FUSE-5 AMP	1
8	4171769-03	HOLDER-6 FUSE W/GROUND	1	18	4171769-04	HARNES-MAIN W/ RESET	1
9	4171670-09	SCRW-MACH SOC 8 X 1	2	19	4171015-56	HARNES-MAIN HEADLINER	1
10	4171769-10	NUT-SERT 10-24	2	20	4171769-16	PLUG-HOLE .38	1

FIGURE 6

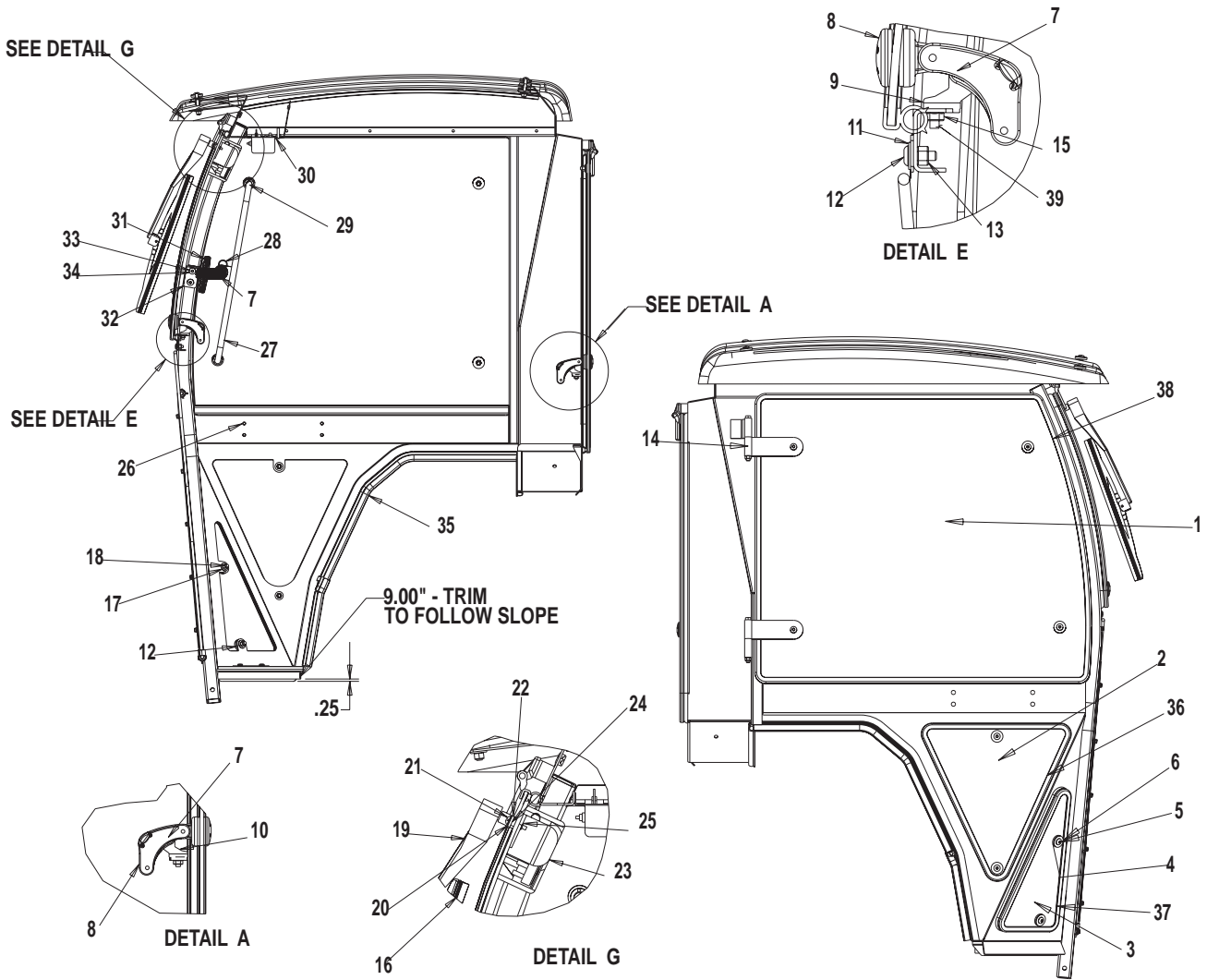


ITEM	PART NO.	DESCRIPTION	QTY
4171015-56		WIRE HARNESS ASSY	1

RIGHT SIDE ASSY

CAB

FIGURE 7

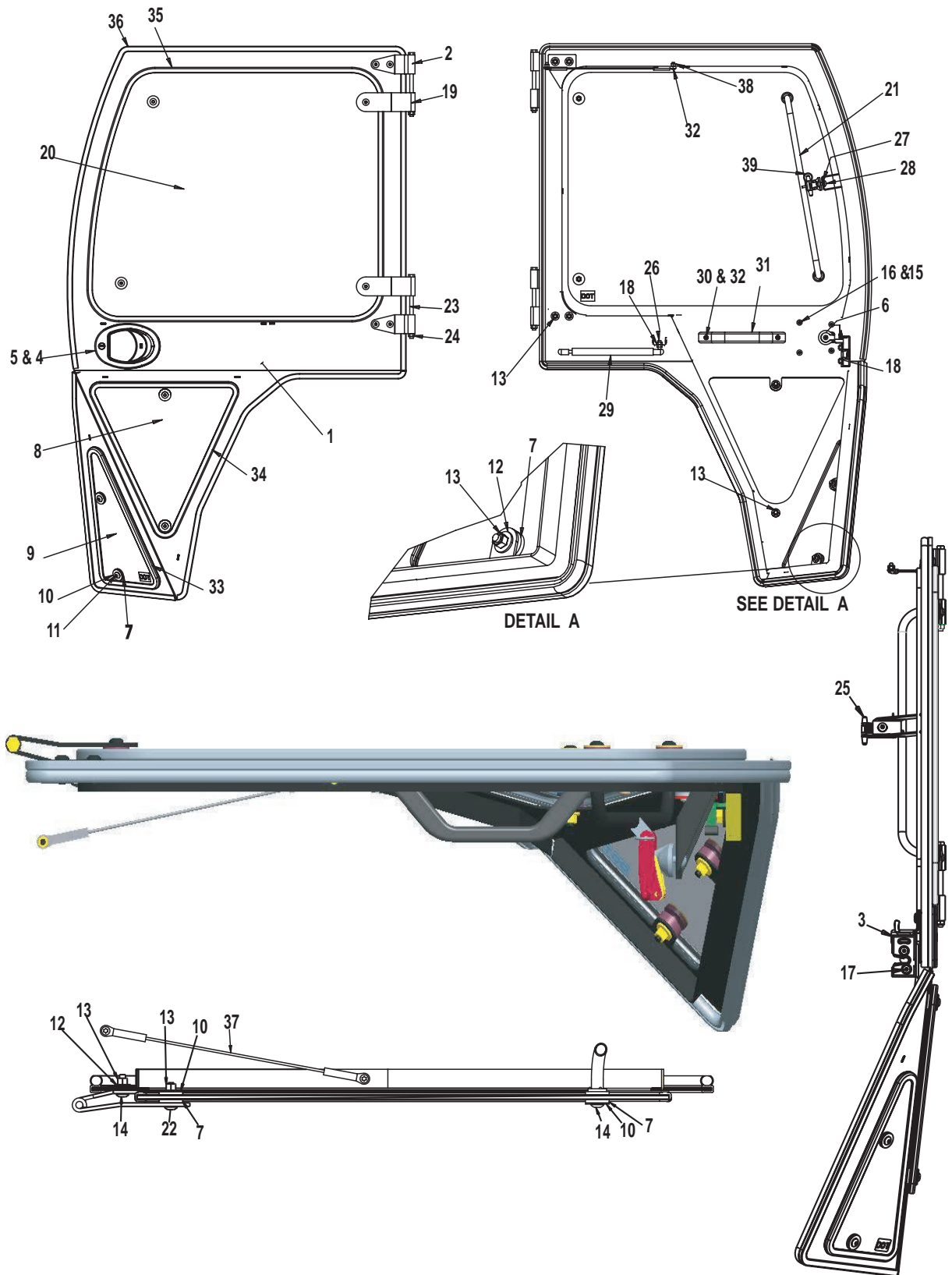


ITEM	PART NO.	DESCRIPTION	QTY	ITEM	PART NO.	DESCRIPTION	QTY
1	4171015-61	S-GLASS, RH WINDOW	1				
2	4171015-65	S-GLASS, SIDE UPPER,	1				
3	4171015-66	S-GLASS, SIDE LOWER, PERED	1				
4	4171015-28	S-WASHER, GLASS MOUNT	8				
5	4171015-49	S-MSCR, .312-18 NC X 1.50 TH	4				
6	4171015-35	S-WASHER, .344 X 1.25	4				
7	4171015-26	S-ROLL PIN, .187 X .50	3				
8	4171015-33	S-LATCH, T-HANDLE, VENT	4				
9	4171015-8	S-MOUNT, TEE HANDLE , RH	1				
10	4171015-7	S-MOUNT, TEE HANDLE , LH	1				
11	64163-02	WSHR .321/.328X.593/.608X11GA2					
12	417878-8	S-MSCR, TRUSS TRX, .25 X .75	2				
13	4171015-92	NUT-NYLOCK .25	2				
14	4171015-51	S-HINGE, PLATE TYPE, WINDOW	1				
15	4171769-09	NUT-FLG HEX .25	2				
16	4171015-18	S-WIPER BLADE, 16 FLEX	1				
17	4171015-82	WASHER-.3125	8				
18	64229-02	NUT-NYLON LOCK 5/16-18	4				
19	4171015-25	S-WIPER ARM, 10.75-15 ADJ	1				
20	4171015-107	WASHER-NO 10	1				
21	4171015-108	S-MSCR NO 10 X 1, THSL	1				
22	4171015-20	S-WASHER, RUBBER .25 X .63	1				
23	4171015-55	S-WIPER MOTOR COVER	1				
24	4171015-109	S-BUSHING, .187 X .374 X .25	1				
25	64229-10	NUT-NY LOCK NO 10					
26	4171015-23	S-PLUG, HOLE, PLASTIC	4				
27	4171015-15	S-WELDMENT, HANDLE RH	1				
28	4171015-31	S-PIN,RELEASE, 3/16 X 1.0	1				
29	4171015-48	S-MSCR, .312-18 NC X 1.0 TRX	2				
30	4171015-47	S-MSCR, .312-18 NC X .75 TRX	4				
31	4171015-30	S-LATCH, T-HANDLE, VENT	1				
32	4171015-4	S-RH DOOR TIP OUT BRACKET	1				
33	4171015-89	WASHER-LOCK .312	1				
34	4171015-46	S-MSCR, .312-18 NC X .50 TRX	1				
35	4171015-41	S-DOOR TRM SEAL 11/16 48"	1				
36	4171015-44	S-WINDOW TRM SEAL 11/16 53"	1				
37	4171015-44	S-WINDOW TRM SEAL 11/16 41"	1				
38	4171015-44	S-WINDOW TRM SEAL 11/16 127"1					
39	4171015-91	BOLT-TOREX BH .25 X .625	2				

LEFT SIDE ASSY

CAB

FIGURE 8



ITEM	PART NO.	DESCRIPTION	QTY	ITEM	PART NO.	DESCRIPTION	QTY
1	4171015-12	S-WELDMENT, DOOR, LH	1				
2	4171015-14	S-WELDMENT, DOOR HINGE	2				
3	4171015-42	S-LATCH, ROTARY	1				
4	4171015-64	S-GASKET FOR OVAL	1				
5	4171015-63	S-HANDLE, PADDLE LOCKING	1				
6	4171015-81	S-TAB, TRIP	1				
7	4171015-28	S-WASHER, GLASS MOUNT	20				
8	4171015-65	S-GLASS, SIDE, UPPER,	1				
9	4171015-66	S-GLASS, SIDE, LOWER	1				
10	4171015-35	S-WASHER, .344 X 1.25	8				
11	4171015-49	S-MSCR, .312-18 NC X 1.50 TH	4				
12	4171015-82	S-WASHER .3125	8				
13	4171018-83	S-NUT .3125	10				
14	4171015-48	S-MSCR, .312-18 NC X 1.0 TH	6				
15	4171015-84	S-WASHER, LCOK .250	4				
16	4171015-85	S-MSCR M6x10 THTORX	4				
17	4171015-37	S-MSCR, .312-18 NC X 1.25 FH	2				
18	4171015-86	S-NUT .312 SER FLNG	3				
19	4171015-3	S-HINGE, WINDOW	2				
20	4171015-62	S-GLASS, LH WINDOW	1				
21	4171015-13	S-WLDMNT, WINDOW HANDLE	1				
22	4171670-07	BLT-TRX HD 5/16-18 X 4-1/4	2				
23	4171015-87	S-.375 X .680 HHCS	2				
24	4171015-88	S-NUT-CNTRLCK .38	2				
25	4171015-57	S-HANDLE, TEE, LOCKING	1				
26	4171015-21	S-BALL STUD 10 MM	1				
27	4171015-89	S-WASHER .312 LOCK	1				
28	4171015-38	S-MSCR, M8 X 1.25 X 15 TH	1				
29	4171015-22	S-GAS SPRING, 20 PSI X 17.2"	1				
30	4171015-90	S-NUT SERT .25	2				
31	4171015-27	S-GRAB HANDLE, BLACK VINYL	1				
32	4171015-91	BOLT-TOREX BH .25 X .625	4				
33	4171015-44	S-WINDOW TRIM SEAL, 11/16	1				
34	4171015-44	S-WINDOW TRIM SEAL, 11/16	1				
35	4171015-44	S-WINDOW TRIM SEAL, 11/16	1				
36	4171015-41	S-DOOR TRIM SEAL, 11/16	1				
37	4171015-54	S-LANYARD, 1/8 DIA X 13.88 C-C	1				
38	4171015-92	S-NUT NYLOC .25	2				
39	4171015-31	S-PIN, RELEASE, 3/16 X 1.0	1				
40	4171015-72	S-ASSY, DOOR, LH	1				
		INCLUDES ITEMS 1-39					

SCHILLER GROUNDS CARE, INC.
ONE BOB-CAT LANE
P.O. BOX 469
JOHNSON CREEK, WI 53038
920-699-2000
www.schillergc.com



©Schiller Grounds Care, Inc. 2010